

Nonlinear Maxwell equations

Sergey Kotkovsky

Based on the analysis of biquaternion quadratic forms of the field, it is shown that Maxwell equations arise as a consequence of the principle of conservation of the energy-momentum flow of the field in space-time. It turns out that this principle presupposes the existence more general nonlinear field equations. Maxwell classical linear equations are embedded in a special way into new nonlinear equations and are their special case. It is shown that in a number of important cases nonlinear equations, in contrast to linear ones, allow solutions that have a swirling energy flow. Solutions of the equations we obtained make it possible to describe charged particles in waves within the framework of nonlinear classical electrodynamics. Particular attention in the work is paid to the problem of dividing the field into the "own" field of a charged particle and a field "external" to it. From the nonlinear field equations follow both the classical Maxwell equations themselves and the equations of charge motion under by the Lorentz force. In this way, the problem of finding nonlinear field equations that include interaction is solved. In our approach, the particle charge is electromagnetic (complex-valued), periodically passing through various linear combinations of electric and magnetic charges from purely electric to purely magnetic. In real processes, it is not the particle charge itself that plays a role, but its phase relationship with other charges and fields.

Key words: electromagnetic field, nonlinear electrodynamics, nonlinear Maxwell equations, Riemann-Silberstein vector, tensor energy-momentum, singularities, biquaternions, regular currents, Coulomb wave.

1. Introduction

Maxwell equations rightfully occupy one of the central places in classical and modern physics. However, until now they have remained in the status of a postulate generalizing experimental data on the phenomena of electromagnetism. No derivation of these equations from more fundamental principles was given. The goal facing us here is the axiomatic derivation of the electromagnetic field equations based on the basic principle of conservation of energy-momentum field flow in space and time.

Classical, and after it quantum electrodynamics, consider elementary charges (electrons and positrons) and the electromagnetic field (hereinafter *field*) as two interacting but

separate entities. The study of the behavior of interacting charged particles and fields is solved by joint consideration of Maxwell equations for the field generated by charges and the Lagrangian interaction of charges and field. At the same time, many authors have long proposed to consider charges as singularities fields rather than as separate objects (eg[1]). We also base our approach on the assumption that charged particles represent field singularities, Moreover, the initial requirement is that only through these singularities can the field lose or gain energy-momentum.

To describe the field and its Lorentz structure, we use the mathematical apparatus of biquaternions. Biquaternions describe Lorentz transformations in a simple and convenient form of bilinear operators [2]. The electromagnetic field is represented as a three-dimensional complex-valued vector.

The greatest success, in our opinion, in applying biquaternion analysis to the description of the electromagnetic field was achieved by K. Imaeda, who gave a new formulation of electrodynamics based on the biquaternion analyticity [5] introduced by him. The conceptual step taken by this researcher is to affirm the unity of the electromagnetic field and Minkowski space-time. Maxwell equations are represented are not an independent postulate, but are a consequence of the Lorentz structure of the field. In his work, Imaeda examines the functional of the quadratic form formed by the biquaternion field function and the associated functional derivative. The conditions for the regularity of the field function give simultaneously both Maxwell equations and the equation for the Lorentz force acting on a charge in this field. In the present study, we follow Imaeda's method of studying hypersurface integrals of the quadratic form of the field, but at the same time we are based on other initial principles and arrive at fundamentally new results.

The absence of interaction of charges in the composition of Maxwell equations themselves, their openness, is one of the main promises for the search for nonlinear equations of the electromagnetic field [3],[4]. Indeed, the linearity of the equations assumes the independence of each of its decisions, since the sum of the decisions automatically becomes a new solution. Each of the decisions does not affect the other; in other words, in the field equations there is no interaction between them. Usually the latter is introduced separately and represents the Coulomb interaction or the Lorentz force. To solve this dilemma, A.A. Chernitsky proposed to use the nonlinear Born-Infeld model [3]. In this direction, he obtained a number of successful solutions, such as field solitons. In general, the Born-Infeld equations can be considered as the first attempt at a nonlinear generalization of Maxwell equations.

In our approach, we follow the same ideology of a single nonlinear field, in which charged particles are special singular configurations of this field, but we do not resort to a model, but derive equations from universal principles. We start from the fundamental physical principle conservation of conservation of energy-momentum, according to which as much of it flows into a given 4-volume, so much should flow out [6]. We are looking for a description of the movement of this "river" of energy-momentum in Lorentz-covariant field structures in their biquaternion representation. Obtaining nonlinear equations in this case turns out to be a pleasant surprise. At the same time, the beauty of Maxwell classical linear equations is not lost - they turn out to be embedded in new nonlinear equations.

Section 2 briefly introduces the reader to the hardware and the basics of the approach. Sections 3-10 are dedicated to derivation and analysis of nonlinear free field equations.

In section 5 we present the derivation of these equations in the more conventional tensor form. In sections 12-?? Nonlinear particle fields and their interactions are studied.

2. Basic provisions

Space-time is represented by a real biquaternion space¹ $Z = (t, \mathbf{r})$. Basic operations with biquaternions are given in Appendix 1 (also see [8]). General Lorentz transformations of space-time, including boosts and rotations, have the form of a biquaternion product [2]:

$$Z' = U^* Z U, \quad (2.1)$$

where U is some unitary biquaternion: $|U|^2 = 1$. U is represented as:

$$U = e^{\boldsymbol{\theta}} = \text{ch } \theta + \frac{\boldsymbol{\theta}}{\theta} \text{sh } \theta, \quad (2.2)$$

where $\boldsymbol{\theta}$ is an arbitrary three-dimensional complex vector of nonzero value θ ($\boldsymbol{\theta}^2 \neq 0$). Real $\boldsymbol{\theta}$ define partial Lorentz transformations (boosts), while imaginary $\boldsymbol{\theta}$ define spatial rotations.

In particular, boost at a speed of \mathbf{V} , i.e. the transition to a reference frame moving at a speed of $(-\mathbf{V})$ has the form of a biquaternion:

$$U = \left(\sqrt{\frac{\gamma+1}{2}}, \frac{\mathbf{V}}{V} \sqrt{\frac{\gamma-1}{2}} \right), \quad (2.3)$$

where the standard denotation is $\gamma = \frac{1}{\sqrt{1-V^2}}$. The $\boldsymbol{\theta}$ parameter is related to the boost speed by the relation: $\mathbf{V} = \text{th } 2\boldsymbol{\theta} = \frac{\boldsymbol{\theta}}{\theta} \text{th } 2\theta$.

Let's consider the motion of a particle of some mass. Its energy-momentum $P = (\epsilon, \mathbf{p})$ is transformed similarly to Z , i.e. is a 4 -vector:

$$P' = U^* P U \quad (2.4)$$

Over Z you can introduce a complex vector field that describes the electromagnetic field (Riemann-Silberstein vector) [9] (p. 8-9):

$$\mathbf{F} = \mathbf{F}(Z) = \mathbf{E} + i\mathbf{H}, \quad (2.5)$$

whose components \mathbf{E} and \mathbf{H} are the electric and magnetic field strengths, respectively.² Lorentz transformations of the field \mathbf{F} have the form:

$$\mathbf{F}' = \bar{U} \mathbf{F} U, \quad (2.6)$$

where \bar{U} denotes the biquaternion conjugate to the biquaternion U . For $U = (s, \mathbf{u})$: $\bar{U} = (s, -\mathbf{u})$.

The above statements about the Lorentzian structure of the field and particles, together with the central principle - the law of conservation of energy-momentum in space-time,

¹We use a system of units in which the speed of light is equal to one: $c = 1$.

²Here and below, any function of the variable Z includes a dependence on both Z and \bar{Z} , in other words means a function of the variables t and \mathbf{r} .

as well as the requirement that energy be quadratic over the field, and constitute the axiomatics of our approach.

Let us briefly describe our method. First, based on the vector field $\mathbf{F}(Z)$, we find the form of a real biquaternion quadratic form, which behaves under Lorentz transformations like energy-momentum. Such a structure is defined at each point in space-time and is expressed as the differential of some biquaternion function $\Sigma(Z)$, which has the meaning of the energy-momentum flow of the field. In the tensor representation of the function $\Sigma(Z)$ there corresponds the field energy-momentum tensor.

Then, we formulate the principle of conservation of $\Sigma(Z)$ in space-time, which is expressed in the equality to zero of the integral from $d\Sigma$ along any closed hypersurface of four-dimensional pseudo-Euclidean space. Using the biquaternion version of the Ostrogradsky-Gauss formula, the last integral we replace it with the integral over the space-time region surrounded by a given hypersurface. As a result, we obtain differential field equations, which are a nonlinear generalization of Maxwell equations.

3. Nonlinear free field equations

Singularities of the field we will call those sections of it that turn to infinity inside a finite space-time volume. In this section we will derive the equations of *free field* (or fields in emptiness), i.e. a field that does not have singularities in a given region of space-time. Let us clarify that our definition of a free field is not the same as the definition of a free field in classical linear electrodynamics, where a free field means a field that is not associated with any source.

The energy-momentum of a free field must be completely conserved in space-time, which means it should not transform into other types of energy, as is the case in the presence of singularities that play the role of channels for the exchange of energy between different types of motion.

Let us consider some space-time hypersurface (three-dimensional manifold) S_3 . For any element of this hypersurface one can define a biquaternion dZ orthogonal to it, the magnitude of which is equal to the 3-volume of the hypersurface element³.

For the field \mathbf{F} on an arbitrary section of the hypersurface, we can define a real-valued quadratic form that behaves under Lorentz transformations similar to the energy-momentum of a particle (2.4)⁴:

$$d\Sigma = \frac{1}{2} \mathbf{F}^* dZ \mathbf{F} \quad (3.1)$$

Indeed, in accordance with (2.1), dZ is transformed as

$$dZ' = U^* dZ U \quad (3.2)$$

and taking into account (2.6) the value $d\Sigma$ is transformed as

$$d\Sigma' = \frac{1}{2} U^* \mathbf{F}^* \bar{U}^* U^* dZ U \bar{U} \mathbf{F} U = U^* \frac{1}{2} \mathbf{F}^* dZ \mathbf{F} U \quad (3.3)$$

³External differential forms of quaternions are studied in detail in the work [?]. A generalization to the case of real biquaternions is given in the work [5].

⁴The factor $\frac{1}{2}$ was introduced by us to be consistent with the generally accepted definition of the Umov-Poynting vector (see below (4.4)).

or

$$d\Sigma' = U^* d\Sigma U, \quad (3.4)$$

which coincides in form with the Lorentz energy-momentum transformation (2.4).

You can directly verify that, apart from (3.1), there are no other real-valued quadratic forms of the field that transform like energy-momentum⁵. For example, a form of the form $d\Sigma = \frac{1}{2}\mathbf{F}\mathbf{F}^*dZ$ does not have this property.

The value Σ has the meaning of the energy-momentum flux of the field, which includes both the spatial densities of energy and momentum of the field, and their fluxes in space. For brevity, we will also call Σ *energy flow* of the field. The formula (3.1) connects three fundamental quantities: energy, field and space-time. According to (3.1) energy is factorized by the field, thereby providing space-time filling. The structure of the energy flow $d\Sigma$ is considered in more detail in the Appendix 6.

Let us require the continuity (conservation) of the Σ flow in space-time. This will mean that the total flow Σ through any closed space-time hypersurface S_3 is equal to zero:

$$\oint_{S_3} d\Sigma = \frac{1}{2} \oint_{S_3} \mathbf{F}^* dZ \mathbf{F} = 0 \quad (3.5)$$

According to the Ostrogradsky-Gauss formula, under the condition of continuous coordinate differentiability of the components of the function \mathbf{F} , the integral on the left side of the equation (3.5) is represented as an integral over the four-dimensional space-time volume V_4 , surrounded by the hypersurface S_3 (see Appendix 2):

$$\oint_{S_3} \mathbf{F}^* dZ \mathbf{F} = \int_{V_4} (\mathbf{F}^* D\mathbf{F}) dV_4 \quad (3.6)$$

where $(\mathbf{F}^* D\mathbf{F})$ denotes the quadratic form:

$$(\mathbf{F}^* D\mathbf{F}) = 2\text{Re}\{\mathbf{F}^*(D\mathbf{F})\} = \mathbf{F}^*(D\mathbf{F}) + (\mathbf{F}^* D)\mathbf{F}, \quad (3.7)$$

a $D = (\partial_t, \nabla)$ is a biquaternion gradient, the action of which on some biquaternion (s, \mathbf{u}) on the left and right is expressed according to the rules of biquaternion product (14.24) as:

$$D(s, \mathbf{u}) = (\partial_t, \nabla)(s, \mathbf{u}) = (\partial_t s + \nabla \cdot \mathbf{u}, \partial_t \mathbf{u} + \nabla s + i\nabla \times \mathbf{u}) \quad (3.8)$$

$$(s, \mathbf{u})D = (s, \mathbf{u})(\partial_t, \nabla) = (\partial_t s + \nabla \cdot \mathbf{u}, \partial_t \mathbf{u} + \nabla s - i\nabla \times \mathbf{u}) \quad (3.9)$$

respectively. The equation (3.5) will be written as:

$$\int_{V_4} (\mathbf{F}^* D\mathbf{F}) dV_4 = 0 \quad (3.10)$$

Since this condition must be satisfied for any closed 4-volume V_4 , then at any point in space-time we have:

$$(\mathbf{F}^* D\mathbf{F}) = 0 \quad (3.11)$$

or

$$\text{Re}\{\mathbf{F}^*(D\mathbf{F})\} = 0 \quad (3.12)$$

⁵see. Application6

Let us write the last equation in the form:

$$\begin{cases} \operatorname{Re}\{(\partial_t \mathbf{F}) \cdot \mathbf{F}^* - i[\nabla \mathbf{F}] \cdot \mathbf{F}^*\} = 0 \\ \operatorname{Re}\{(\nabla \mathbf{F}) \mathbf{F}^* + i(\partial_t \mathbf{F}) \times \mathbf{F}^* + [\nabla \mathbf{F}] \times \mathbf{F}^*\} = 0 \end{cases} \quad (3.13)$$

or in more detail:

$$\begin{cases} \mathbf{E} \cdot (\partial_t \mathbf{E} - \nabla \times \mathbf{H}) + \mathbf{H} \cdot (\partial_t \mathbf{H} + \nabla \times \mathbf{E}) = 0 \\ \mathbf{E}(\nabla \cdot \mathbf{E}) + \mathbf{H}(\nabla \cdot \mathbf{H}) = \mathbf{E} \times (\partial_t \mathbf{H} + \nabla \times \mathbf{E}) - \mathbf{H} \times (\partial_t \mathbf{E} - \nabla \times \mathbf{H}) \end{cases} \quad (3.14)$$

The equations (3.14) are *Maxwell nonlinear equations for a free field*. By virtue of their construction, these equations are Lorentz covariant: they are preserved when moving to any other reference system. Each of the equations (or systems of equations) (3.11),(3.12),(3.13) is equivalent to the equations (3.14), thereby being alternative records of Maxwell nonlinear equations.

4. Energy presentation

The equations (3.14) can also be represented as:

$$\begin{cases} \frac{1}{2} \partial_t (E^2 + H^2) + \nabla \cdot (\mathbf{E} \times \mathbf{H}) = 0 \\ \partial_t (\mathbf{E} \times \mathbf{H}) = (\mathbf{E} \cdot \nabla) \mathbf{E} + (\mathbf{H} \cdot \nabla) \mathbf{H} \end{cases} \quad (4.1)$$

The last equations involve spatial energy density of the field W and its flux \mathbf{S} (momentum density, or Umov-Poynting vector), together forming a biquaternion of energy-momentum density:

$$P = (W, \mathbf{S}) = \frac{1}{2} \mathbf{F} \mathbf{F}^* \quad (4.2)$$

$$\begin{cases} W = \frac{1}{2} \mathbf{F} \cdot \mathbf{F}^* = \frac{1}{2} (E^2 + H^2) \\ \mathbf{S} = \frac{i}{2} \mathbf{F} \times \mathbf{F}^* = \mathbf{E} \times \mathbf{H} \end{cases} \quad (4.3)$$

Using W, \mathbf{S} (4.1) are represented in *energy form*:

$$\begin{cases} \partial_t W + \nabla \cdot \mathbf{S} = 0 \\ \partial_t \mathbf{S} + \nabla W = \mathbf{Q}, \end{cases} \quad (4.4)$$

where indicated:

$$\mathbf{Q} = ((\nabla \cdot \mathbf{E}) + \mathbf{E} \cdot \nabla) \mathbf{E} + ((\nabla \cdot \mathbf{H}) + \mathbf{H} \cdot \nabla) \mathbf{H} \quad (4.5)$$

The first of the equations (4.4) is the equation of conservation (continuity) of the field energy density, and the second is the equation of its momentum density. As shown in the next section, these equations are equivalent to the energy-momentum continuity equations following from the classical field energy-momentum tensor.

Let us note that for ordinary linear Maxwell equations there is no energy representation similar to (4.4). The presence of the latter is, therefore, an exclusive property of nonlinear equationsfield definition.

5. Derivation of nonlinear equations from the energy-momentum tensor

According to Sommerfeld, the field energy-momentum tensor has a more direct relationship to physical reality than the field quantities themselves, and the equations associated with this tensor are more fundamental in nature than Maxwell equations [12] (p. 64).

The field energy-momentum tensor T^{ik} has five independent components, while the field itself has six, which indirectly indicates about the presence of one more degree of freedom. This allows you to enter the so-called *dual rotations* [12], which come down to the multiplication of all electromagnetic fields by some constant phase factor, the same everywhere and for all fields. Dual rotations lead to the appearance in the theory of magnetic charges along with existing electric ones. As it turns out, such a theory describes the same observed interaction effects fields and charged particles, like the single-charge theory, which operates only with electric charge.

In section ?? we will find out that the dual rotation does not have to be global - constant throughout space-time and for all particles. In the case of two particles we studied below, in order for the theory to correspond to the existing observed effects, only a certain coordination of the dual rotations of the fields of these particles is sufficient. Using the example of dual rotations, both the well-known global ones and the local ones introduced here, we see that the classical field energy-momentum tensor resolves a wider than generally accepted class of interacting fields.

Let us show the equivalence of the biquaternion energy-momentum flow Σ , introduced by us in the section 3, to the classical energy-momentum tensor T^{ik} . To do this, we present another derivation of the nonlinear field equations (3.14) - from the classical energy-momentum tensor. Unlike the main part of the article, in this section we follow the tensor representation of the field and terminology [10]⁶.

The field energy-momentum tensor has the form [10](32.15):

$$T^{ik} = \begin{bmatrix} W & S_x & S_y & S_z \\ S_x & -\sigma_{xx} & -\sigma_{xy} & -\sigma_{xz} \\ S_y & -\sigma_{yx} & -\sigma_{yy} & -\sigma_{yz} \\ S_z & -\sigma_{zx} & -\sigma_{zy} & -\sigma_{zz} \end{bmatrix} \quad (5.1)$$

where W and \mathbf{S} are the energy and momentum densities of the field, defined by us above in (4.3), and $\sigma_{\alpha\beta}$ is the Maxwellian stress tensor [10](33.3):

$$\sigma_{\alpha\beta} = E_\alpha E_\beta + H_\alpha H_\beta - \frac{1}{2} \delta_{\alpha\beta} (E^2 + H^2) \quad (5.2)$$

In the equations (5.1),(5.2), the Latin indices are spatiotemporal and range from 0 to 3, while the Greek indices are purely spatial and range from 1 to 3.

The energy-momentum continuity equations are obtained by applying the divergence operation to the tensor T^{ik} [10](32.4):

$$\frac{\partial T_i^k}{\partial x^k} = 0 \quad (5.3)$$

⁶Our units of measurement of field quantities differ from those adopted in [10] by a factor of $\frac{1}{4\pi}$, as well as in our unit system speed of light $c = 1$.

Dividing this equation into spatial and temporal components, we obtain instead two other equations ([10] (32.12)):

$$\frac{\partial T^{00}}{\partial t} + \frac{\partial T^{0\alpha}}{\partial x^\alpha} = 0 \quad (5.4)$$

$$\frac{\partial T^{\alpha 0}}{\partial t} + \frac{\partial T^{\alpha\beta}}{\partial x^\beta} = 0 \quad (5.5)$$

According to the values of the components of the tensor T^{ik} in (5.1), the equation (5.4) takes the form:

$$\partial_t W + \nabla \cdot \mathbf{S} = 0 \quad (5.6)$$

which coincides with the first of our equations (4.4).

Let us now move on to the second of the continuity equations - the equation (5.5). Take for example this equation for the x coordinate:

$$\frac{\partial S_x}{\partial t} - \nabla \cdot \boldsymbol{\chi} = 0, \quad (5.7)$$

where $\boldsymbol{\chi}$ is the following vector:

$$\boldsymbol{\chi} = \begin{pmatrix} \sigma_{xx} \\ \sigma_{xy} \\ \sigma_{xz} \end{pmatrix} = \begin{pmatrix} \frac{1}{2}(E_x^2 - E_y^2 - E_z^2 + H_x^2 - H_y^2 - H_z^2) \\ E_x E_y + H_x H_y \\ E_x E_z + H_x H_z \end{pmatrix} \quad (5.8)$$

Further,

$$\begin{aligned} \nabla \cdot \boldsymbol{\chi} = & E_x(\partial_x E_x + \partial_y E_y + \partial_z E_z) + E_y(\partial_y E_x - \partial_x E_y) + E_z(\partial_z E_x - \partial_x E_z) + \\ & + H_x(\partial_x H_x + \partial_y H_y + \partial_z H_z) + H_y(\partial_y H_x - \partial_x H_y) + H_z(\partial_z H_x - \partial_x H_z) \end{aligned} \quad (5.9)$$

The equation (5.7) becomes:

$$\begin{aligned} \frac{\partial S_x}{\partial t} = & E_x(\partial_x E_x + \partial_y E_y + \partial_z E_z) + E_y(\partial_y E_x - \partial_x E_y) + E_z(\partial_z E_x - \partial_x E_z) + \\ & + H_x(\partial_x H_x + \partial_y H_y + \partial_z H_z) + H_y(\partial_y H_x - \partial_x H_y) + H_z(\partial_z H_x - \partial_x H_z) \end{aligned} \quad (5.10)$$

Let's make sure that this equation coincides with the second of our equations (4.4) for the x -component. Really:

$$(\nabla W)_x = E_x \partial_x E_x + E_y \partial_x E_y + E_z \partial_x E_z + E_x \partial_x E_x + E_y \partial_x E_y + E_z \partial_x E_z \quad (5.11)$$

$$\begin{aligned} Q_x = & (\partial_x E_x + \partial_y E_y + \partial_z E_z + E_x \partial_x + E_y \partial_y + E_z \partial_z) E_x + \\ & + (\partial_x E_x + \partial_y E_y + \partial_z E_z + E_x \partial_x + E_y \partial_y + E_z \partial_z) E_x \end{aligned} \quad (5.12)$$

which directly implies the coincidence of the second of the equations (4.4) and the equation (5.10) for the x -components. It is obvious that these equations coincide for both y and z components, and, therefore, coincide in general. We have verified that the second of the tensor continuity equations (5.5) is equivalent to the second of the equations (4.4):

$$\partial_t \mathbf{S} + \nabla W = \mathbf{Q} \quad (5.13)$$

So, we have shown that the energy equations (4.4) are equivalent to the energy-momentum continuity equations (5.4), (5.5) associated with the classical energy-momentum tensor. But this means the equivalence of Maxwell nonlinear equations (3.14) to the tensor energy-momentum continuity equation (5.3), which is what we wanted to prove.

6. Structure of field energy flows. Opposite direction in time for particle and field energy flows.

The structure of the field energy-momentum flow is studied in detail, based on differential forms, in the book [6] (p. 174-181). Here we will give a simple diagram that gives a basic understanding of this structure. The energy flow $d\Sigma$ passing through the oriented three-dimensional space-time hypersurface dS_3 is given by the formula (3.1):

$$d\Sigma = \frac{1}{2} \mathbf{F}^* dZ \mathbf{F} \quad (6.1)$$

The "platform" dS_3 is expressed by the biquaternion dZ . By definition, the scalar part $d\Sigma$ is equal to the energy flow, and the vector part is equal to the momentum flow. Figure 6 conventionally depicts two special cases of flow $d\Sigma$, which will be discussed below. The abscissa is space (schematically three spatial dimensions are compressed into one), and the ordinate is time.

In the first case, the area dZ_V is a certain three-dimensional volume "oriented" forward in time, and $d\Sigma_T$ is a timelike flow.

$$d\Sigma_T = \frac{1}{2} \mathbf{F}^* dZ_V \mathbf{F} = (W dt, -\mathbf{S} dt) \quad (6.2)$$

The hyperplatform dZ_T , expressed in terms of the directional time element dt , is orthogonal to all spatial dimensions. Continuity of energy flow in this case means conservation of energy and momentum over time. The "area" of the hyperplatform dZ_T (denoted by the value $dt!$) is equal to the three-dimensional volume dV through which the flow passes. This confirms that the quantities W and $-\mathbf{S}$ express the spatial densities of energy and momentum of the field.

$d\Sigma_T$ is a "vertical" energy-momentum flow reversed in time, which is expressed by the minus sign in front of the Umov-Pointing vector \mathbf{S} . The time-reverse nature of the field pulse-energy is due to the type of energy flow differential (3.1). As the energy flow differential, one could choose the conjugate value (3.1): $d\Sigma_S = \overline{d\Sigma} = \frac{1}{2} \mathbf{F} \overline{dZ} \mathbf{F}^*$. Such a flow of field energy would be directed along time, and not back to it. However, $d\Sigma_S$ is transformed not as a 4-momentum energy-momentum, but as its conjugate biquaternion⁷. This means that such a choice is invalid if we want the total energy-momentum value of the field and particle to retain the properties of a Lorentzian 4-vector. An important conclusion follows from this: the energy of the particles \mathfrak{B}^{TM} s field flows in the direction of time opposite to that in which the energy of the particle itself flows.

In the second case, the hyperplatform dZ_S has as "edges" a time interval dt and a section of an oriented two-dimensional spatial surface (vector $d\mathbf{r}$). The energy-momentum flow $d\Sigma_S$ is timelike.

$$d\Sigma_S = (W dt + (\mathbf{S} d\mathbf{r}), -\mathbf{S} dt + \mathbf{E}(\mathbf{E} d\mathbf{r}) + \mathbf{H}(\mathbf{H} d\mathbf{r}) - W d\mathbf{r}) \quad (6.3)$$

The terms $W dt$ and $-\mathbf{S} dt$ have the same meaning of flows in time as in the first case. The quantity $(\mathbf{S} d\mathbf{r})$ determines the change in energy due to its transfer in the spatial dimension. This corresponds to the well-known fact that the Umov-Poynting vector is the energy flux density in space. The quantity $\mathbf{E}(\mathbf{E} d\mathbf{r}) + \mathbf{H}(\mathbf{H} d\mathbf{r}) - W d\mathbf{r}$ gives the transfer of momentum in space. She corresponds to the Maxwellian stress tensor.

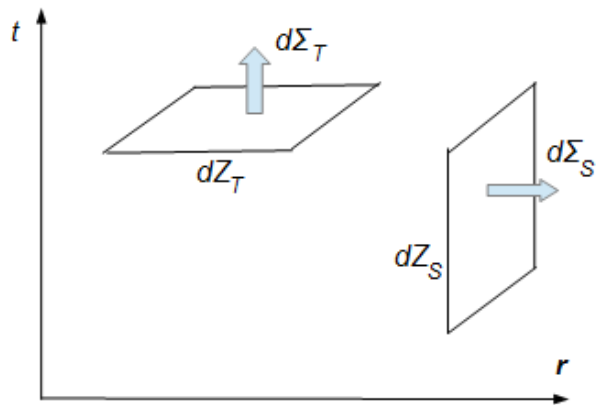


Рис. 1. Structure of the field energy flow.

7. Regular currents

In the nonlinear field equations we derived, a special role is played by the biquaternion value of the 4-current of a given field:

$$\mathcal{J} \equiv D\mathbf{F} = (\nabla \cdot \mathbf{F}, \partial_t \mathbf{F} + i\nabla \times \mathbf{F}) \quad (7.1)$$

For a free field, the 4-current, like the field itself, is regular (not singular) function of the space-time coordinate Z . We will call such a non-singular current *regular current*. \mathcal{J} is some regular function Z defined by the field \mathbf{F} itself.

The 4-current is decomposed as the sum of complex charge and current:

$$\mathcal{J} = (e_0 + ig_0, \mathbf{J}_0 + i\mathbf{I}_0) \quad (7.2)$$

e_0 and \mathbf{J}_0 are regular electric charge and current, g_0 and \mathbf{I}_0 are regular magnetic charge and current, defined as:

$$\begin{cases} e_0 = \nabla \cdot \mathbf{E} \\ g_0 = \nabla \cdot \mathbf{H} \\ \mathbf{J}_0 = \partial_t \mathbf{E} - \nabla \times \mathbf{H} \\ \mathbf{I}_0 = \partial_t \mathbf{H} + \nabla \times \mathbf{E} \end{cases} \quad (7.3)$$

In terms of the regular 4-current, the nonlinear equations (3.11) will be written as:

$$Re\{\mathbf{F}^* \mathcal{J}\} = 0, \quad (7.4)$$

or in expanded form:

$$\begin{cases} \mathbf{J}_0 \cdot \mathbf{E} + \mathbf{I}_0 \cdot \mathbf{H} = 0 \\ e_0 \mathbf{E} + g_0 \mathbf{H} - \mathbf{J}_0 \times \mathbf{H} + \mathbf{I}_0 \times \mathbf{E} = 0 \end{cases} \quad (7.5)$$

⁷Biquaternion conjugate corresponds to the transition from covariant to contravariant 4-vectors in the tensor representation.

Note that our definitions (7.3) coincide in form with the classical Maxwell equations with the right side in symmetric electrodynamics, allowing charges and currents of both electric and magnetic types [12]. In addition, it is easy to verify that the continuity condition is satisfied for regular charges and currents:

$$\begin{cases} \frac{\partial e_0}{\partial t} + \nabla \cdot \mathbf{J}_0 = 0 \\ \frac{\partial g_0}{\partial t} - \nabla \cdot \mathbf{I}_0 = 0 \end{cases} \quad (7.6)$$

Ordinary (point) charges and currents are fundamentally different from regular charges and currents in their singular character. However, using the similarity of regular and ordinary charges and currents, one can see in the equations (7.5) the fact that the free field does not do work on its regular currents (the first equation), and that the total force applied from the field to its regular charges and currents is equal to zero (second equation). This is a natural consequence of the original principle of conservation of field energy. Nonlinear field equations (3.14) are *recursive* in the sense that the sources of a free field can be its own nonsingular structures - regular currents with which this field interacts without doing work on them.

It is important not to confuse the regular charges and currents we introduced with the spatial density of charges and currents of macroscopic electrodynamics[11], despite their apparent closeness. In the electrodynamics of continuous media we deal with distributed point charges and currents averaged over a spatial region, while regular charges and currents are not the result of averaging. Further (in the Conclusions section) it is indicated that regular currents can serve as a classical analogue of vacuum currents of quantum field theory.

8. Classical Maxwell equations as a linear limit

Based on general considerations, if there are some nonlinear equations of the electromagnetic field, then the classical Maxwell equations should be their linear approximation [4] (p.6). In this case, linear equations stop working at sufficiently high field strengths. In our case, this is exactly what happens: the classical Maxwell equations in emptiness are a special case of nonlinear ones (3.12) with zero regular 4-currents:

$$D\mathbf{F} = 0 \quad (8.1)$$

Indeed, using the definition (3.9), it is easy to verify that the expanded equation (8.1) looks like:

$$\begin{cases} \partial_t \mathbf{E} - \nabla \times \mathbf{H} = 0 \\ \partial_t \mathbf{H} + \nabla \times \mathbf{E} = 0 \\ \nabla \cdot \mathbf{E} = 0 \\ \nabla \cdot \mathbf{H} = 0 \end{cases} \quad (8.2)$$

Nonlinear equations (3.14) always hold when classical Maxwell equations (8.2) are satisfied, but the reverse is not true. Examples of nonlinear fields, for which nonlinear equations are satisfied, but the usual Maxwell equations are not satisfied, are given below in section 9.

Let us make sure that for our equations the linear approximation stops working at high field strengths. Nonlinear equations (3.12) are linearized at sufficiently small values

of the total current:

$$|D\mathbf{F}| < \delta \quad (8.3)$$

where δ is some small value determined by the accuracy of a particular observation; module assessment refers to both the scalar and vector components of the current. The equations (3.14) are approximately satisfied at such field values at which:

$$|\mathbf{F}^*(D\mathbf{F})| \ll 1 \Leftrightarrow |\mathbf{F}| \ll \frac{1}{\delta} \quad (8.4)$$

from which it follows that for field strength values $|\mathbf{F}| > \frac{1}{\delta}$ linear approximation ceases to be performed.

9. Associated fields

We will call solutions to nonlinear equations (3.14), which in the general case are not solutions to linear equations (8.2), *nonlinear fields*. As a rule, the sum of two or more nonlinear fields is no longer solving field equations (3.14).

Let \mathbf{F}_0 be some solution of linear equations (8.2), and (ω_1, \mathbf{k}_1) some 4-vector. By using the latter, you can construct a scalar function:

$$f(t, \mathbf{r}) = e^{i(\omega_1 t - \mathbf{k}_1 \cdot \mathbf{r})} \quad (9.1)$$

Then

$$\mathbf{F} = \mathbf{F}_0 f(t, \mathbf{r}) = \mathbf{F}_0 e^{i(\omega_1 t - \mathbf{k}_1 \cdot \mathbf{r})} \quad (9.2)$$

there is a solution to nonlinear equations (3.14). Thus, nonlinear fields can be obtained from linear ones by multiplying the latter to the Lorentz-invariant phase wave factor $f(t, \mathbf{r})$. We will call the nonlinear field \mathbf{F} constructed in this way *accompanying* the linear field \mathbf{F}_0 . Inside the wave phase in (9.2), you can also take the "plus" sign, but the effects associated with this will be important only later - when considering fields of singularities, so here for simplicity we limit ourselves to the "minus" sign. Note that there is a more general form of solutions of the accompanying type than (9.2): $\mathbf{F} = \mathbf{F}_0 e^{i\Phi(t, \mathbf{r})}$, where $\Phi(t, \mathbf{r})$ is some Lorentz invariant.

The field \mathbf{F}_0 satisfies the linear Maxwell equations (8.1): $D\mathbf{F}_0 = 0$. After simple calculations we get:

$$D\mathbf{F} = (\mathbf{F}_0 \cdot \nabla f, \mathbf{F}_0 \partial_t f - i\mathbf{F}_0 \times \nabla f), \quad (9.3)$$

where we learned. that $\partial_t f = i\omega f$, $\nabla f = -i f \mathbf{k}$, $f f^* = 1$. Nonlinear equations for the field \mathbf{F} in the form (3.13) give:

$$\begin{cases} \text{Re}\{i\omega_1(\mathbf{F}_0 \mathbf{F}_0^*) + [\mathbf{F}_0 \mathbf{F}_0^*] \cdot \mathbf{k}_1\} = 0 \\ \text{Re}\{i\mathbf{k}(\mathbf{F}_0 \mathbf{F}_0^*) + \omega[\mathbf{F}_0 \mathbf{F}_0^*] - i(\mathbf{F}_0 \mathbf{k}_1) \mathbf{F}_0^* - i(\mathbf{F}_0^* \mathbf{k}_1) \mathbf{F}_0\} = 0 \end{cases} \quad (9.4)$$

Taking into account the reality of the quantities $\frac{1}{2}\mathbf{F} \cdot \mathbf{F}^*$, $\frac{i}{2}\mathbf{F} \times \mathbf{F}^*$ and $(\mathbf{F}_0 \mathbf{k}_1) \mathbf{F}_0^* + (\mathbf{F}_0^* \mathbf{k}_1) \mathbf{F}_0$ both of these equations are obviously satisfied.

From (9.3) it follows $D\mathbf{F} \neq 0$. This means that the field \mathbf{F} (9.2) in the general case does not satisfy the usual Maxwell equations (8.1) and, therefore, is a nonlinear field.

Based on (9.3) the 4-current accompanying field has the form:

$$\mathcal{J} = D\mathbf{F} = f(-i(\mathbf{F}_0 \mathbf{k}_1), i\omega_1 \mathbf{F}_0 + [\mathbf{F}_0 \mathbf{k}_1]) = i f \mathbf{F}_0 \bar{K}_1 \quad (9.5)$$

10. Nonlinear plane wave

Let us take as the initial classical field \mathbf{F}_0 in (9.2) a linear plane wave circularly polarized

$$\mathbf{F}_0 = \mathbf{A}e^{i(\omega_0 t - \mathbf{k}_0 \cdot \mathbf{r})}, \quad \mathbf{A}^2 = 0, \quad \mathbf{A} = \text{const} \quad (10.1)$$

The wave 4-vector of a linear wave (10.1) (ω_0, \mathbf{k}_0) is isotropic: $\omega_0^2 = \mathbf{k}_0^2$, and this wave is transverse: $\mathbf{k}_0 \perp \mathbf{A}$. The accompanying solution (10.1) with phase factor $f = e^{i(\omega_1 t - \mathbf{k}_1 \cdot \mathbf{r})}$ has the form:

$$\mathbf{F} = f\mathbf{F}_0 = \mathbf{A}e^{i(\omega t - \mathbf{k} \cdot \mathbf{r})} \quad (10.2)$$

Where

$$\begin{cases} \omega = \omega_0 + \omega_1 \\ \mathbf{k} = \mathbf{k}_0 + \mathbf{k}_1 \end{cases} \quad (10.3)$$

The wave 4-vector of the nonlinear wave (ω, \mathbf{k}) must also be isotropic, which is required by the equality of the phase speed of the wave of the speed of light (1 in our units): $\omega^2 = \mathbf{k}^2$. If \mathbf{k}_1 is parallel to \mathbf{k}_0 , then as \mathbf{F} we again obtain an ordinary transverse linear wave. If the vectors \mathbf{k}_1 and \mathbf{k}_0 are not parallel, then \mathbf{k} will no longer be transverse to \mathbf{A} . Therefore, unlike the classical case of linear plane waves, a nonlinear plane wave (10.2) may not be transverse.

Let's define a 4-current nonlinear wave (10.2). According to (9.5):

$$\mathcal{J} = D\mathbf{F} = (-i(\mathbf{F}\mathbf{k}_1), i\omega_1\mathbf{F} + [\mathbf{F}\mathbf{k}_1]) \quad (10.4)$$

From this it can be seen that the wave transverse criterion (10.2) $\mathbf{k}_1 \parallel \mathbf{k}_2$ is the absence of current: $\mathcal{J} = 0$.

So, we see that nonlinear equations allow for the existence of longitudinal electromagnetic waves, but only in the presence of regular currents. The direction of propagation of a plane wave in such solutions may not coincide with the direction of energy transfer determined by the Umov-Poynting vector.

11. Twisting energy flow

We will call the curl of the energy flow the rotor of the Umov-Poynting vector \mathbf{S} , defined according to (4.3):

$$\mathbf{\Omega} = \nabla \times \mathbf{S} = \nabla \times [\mathbf{E}\mathbf{H}] = ((\nabla \cdot \mathbf{H}) + \mathbf{H} \cdot \nabla)\mathbf{E} - ((\nabla \cdot \mathbf{E}) + \mathbf{E} \cdot \nabla)\mathbf{H} \quad (11.1)$$

Below we will show that for a certain, fairly wide class of free fields, the twisting of the energy flow is impossible for linear Maxwell equations, but possible for nonlinear ones. As such a class of fields we will consider flat normal fields. *Normal* field we mean a field whose components are equal in magnitude and perpendicular to each other: $E = H, \mathbf{E} \perp \mathbf{H}$. In the biquaternion representation, the normal field \mathbf{F} is a zero-vector field: $\mathbf{F}^2 = 0$. For important reasons, primarily the requirement of zero mass, To describe light waves, it is normal fields that are required. *Flat* field we call a field that always remains in some fixed plane \mathcal{P} : $\mathbf{E}, \mathbf{H} \in \mathcal{P} \Leftrightarrow \mathbf{F} \in \mathcal{P}$. An example of linear plane fields is classical plane electromagnetic waves. A nonlinear example of a normal plane field was considered in the previous section.

A flat normal field is generally represented as:

$$\begin{cases} \mathbf{E} = (\mathbf{a}\cos\phi + \mathbf{b}\sin\phi)f \\ \mathbf{H} = (\mathbf{a}\sin\phi - \mathbf{b}\cos\phi)f, \end{cases} \quad (11.2)$$

where \mathbf{a} and \mathbf{b} are two fixed real mutually perpendicular unit vectors lying in the plane \mathcal{P} , and f and ϕ are some scalar differentiable functions t and \mathbf{r} . Another way (11.2) can be written as:

$$\mathbf{F} = (\mathbf{a}e^{i\phi} + \mathbf{b}e^{-i\phi})f \quad (11.3)$$

Based on the definition (11.1), we can obtain an expression for the field twist (11.2):

$$\mathbf{\Omega} = 2f(\mathbf{b}f_x - \mathbf{a}f_y), \quad (11.4)$$

where $f_x = \frac{\partial f}{\partial x}$ and $f_y = \frac{\partial f}{\partial y}$.

It is not difficult to verify that if a normal plane field satisfies Maxwell's linear equations (8.2), then it has no twist: $\mathbf{\Omega} = 0$. At the same time, nonlinear equations (3.14) admit solutions of the form (11.2), for which $\mathbf{\Omega} \neq 0$. Such solutions have the form wave for which $f = f_1(t \pm z)f_2(x, y)$, which is easy to verify by directly substituting this solution into the equations.

The conclusion of this section is that in a number of important cases nonlinear equations, as opposed to linear ones, allow solutions that have a swirling energy flow. Nonlinearity here manifests itself as the ability to form vortex structures of energy-momentum flow, since this flow is largely determined by the Umov-Poynting vector (see Appendix 6) - we defined the twist in the form of a rotor of this vector. The analysis presented here serves only to demonstrate, using specific examples, the fundamental difference between the solutions of nonlinear equations from solutions of linear equations in terms of the possibility of the existence of vortex structures of a free field.

12. Central-symmetric field

We derived nonlinear equations (3.13) for a free field without singularities. However, by virtue of their derivation, they also work in any 4-region lying outside the singularities (although in the presence of singularities such a field can no longer be called free). Let us turn to the search for a centrally symmetrical (in some reference frame) solutions to these equations.

$$\mathbf{F} = f(t, r) \mathbf{r} \quad (12.1)$$

where $f(t, r)$ is some complex-valued function differentiable with respect to both arguments. As will be seen from what follows, at the central point $r = 0$ such a field turns to infinity. Therefore, we will look for a solution (12.1) in the region outside the center-singularity.

For the field (12.1) at $r \neq 0$ the following relations hold:

$$\begin{aligned} \mathbf{g} &\equiv \nabla f = f_r \frac{\mathbf{r}}{r} \\ \partial_t \mathbf{F} &= f_t \mathbf{r} \\ (\nabla \mathbf{F}) &= 3f + (\mathbf{g}\mathbf{r}) \\ [\nabla \mathbf{F}] &= [\mathbf{g}\mathbf{r}] \end{aligned} \quad (12.2)$$

When substituting (12.1) into (3.13) after simple calculations we get:

$$\begin{cases} \operatorname{Re}\{f^* f_t\} = 0 \\ \operatorname{Re}\{f^*(3f + f_r r)\} = 0 \end{cases} \quad (12.3)$$

The second of these equations is reduced to the form:

$$\operatorname{Re}\{f^* f_r\} = -\frac{3|f|^2}{r} \quad (12.4)$$

Representing the function f as:

$$f(t, r) = s e^{i\phi}, \quad s(t, r) \in \mathbb{R}, \quad \phi(t, r) \in \mathbb{R} \quad (12.5)$$

Let's transform the equation (12.4) to the form:

$$\operatorname{Re}\left\{\frac{s_r}{s} + \frac{3}{r}\right\} = i\phi_r \quad (12.6)$$

The last equation is satisfied only when both its sides are equal to 0, which follows:

$$\phi_r = 0 \Rightarrow \phi = \phi(t) \quad (12.7)$$

$$\frac{s_r}{s} = -\frac{3}{r} \Rightarrow s = \frac{\alpha}{r^3}, \quad \alpha = \text{const} \in \mathbb{R} \quad (12.8)$$

$$f = \frac{\alpha}{r^3} e^{i\phi(t)} \quad (12.9)$$

It is easy to check that for f in (12.9) the first of the equations (12.3) is always satisfied as well.

Thus, the general centrally symmetric solution (3.13) has the form of an ordinary Coulomb field with a phase factor $e^{i\phi(t)}$:

$$\mathbf{F} = \frac{\alpha \mathbf{r}}{r^3} e^{i\phi(t)} \quad (12.10)$$

Since we found the solution (12.10) in a certain frame of reference, it is necessary to give its Lorentz-covariant form. This is:

$$\mathbf{F} = \mathbf{F}_0 e^{i\Phi} \quad (12.11)$$

where \mathbf{F}_0 is the usual Coulomb field transformed to a given reference frame according to (2.6), and Φ is some Lorentz invariant. If we assume that the singularity at the center of the field (12.11) is associated with some real 4-vector $K = (\omega, \mathbf{k})$, then the Lorentz invariant has the form: $\Phi = \omega t \pm \mathbf{k} \cdot \mathbf{r}$, and *nonlinear Coulomb field* (12.11) has a wave character:

$$\mathbf{F} = \mathbf{F}_0 e^{i(\omega t \pm \mathbf{k} \cdot \mathbf{r})} \quad (12.12)$$

It is noteworthy that this is a solution accompanying the usual Coulomb field in the sense we defined above in (9.2).

The resulting field is associated with some singularity, i.e. with some charged particle. Let us determine how the 4-momentum of this Coulomb particle P and the wave 4-vector K relate to each other. In the particle's rest frame of reference, all directions are the

same. Therefore, it contains $\mathbf{k}_1 = 0$, and the field has the form: $\mathbf{F} = \mathbf{F}_0 e^{i\omega t} = \frac{\alpha \mathbf{r}}{r^3} e^{i\omega t}$. When transitioning to a reference frame moving with speed \mathbf{V} , \mathbf{F}_0 is transformed into a Coulomb field charge moving at a speed of $\mathbf{v} = -\mathbf{V}$. The 4-vector K is then transformed so that $\mathbf{k} = \omega \mathbf{v}$. The latter means:

$$K = \lambda P \quad (12.13)$$

where λ is a real constant defined for a given particle.

The nonlinear Coulomb field (12.10) can be interpreted as the Coulomb field of the complex charge q :

$$\mathbf{F} = \frac{q \mathbf{r}}{r^3}, \quad (12.14)$$

The complex-valued charge q has the meaning of an electromagnetic charge, variably combining electric and magnetic charges:

$$q = \alpha e^{i\phi(t)} \quad (12.15)$$

With a linearly varying phase, the complex charge periodically passes through all complex values of a given value. For real values, q becomes an electric charge, and for imaginary values, a magnetic charge. However, as it turns out, when interacting with other charges, it is not the phase of the charge itself that is important, but how the phases of different charges relate to each other. As will be shown below (Section ??), the simplest matching of the fields of two charges leads to matching and phases, resulting in effective electrical interaction between them.

In the next section, using the appropriate generalized functions, we will extend the resulting solution outside the singularity to the singularity itself.

13. Equations with one singularity

In section 3 we derived the field equations in vacuum, i.e. in a space-time region that does not contain field singularities. Let us now assume that in the region under consideration there is one point (centrally symmetric) singularity. In the presence of a singularity, the field energy in the region containing this singularity is no longer conserved. The following visual model of energy exchange between two types, or *plans* of movement: field and kinematic is useful. The field singularity plays the role of a channel through which energy can flow from the field plane to the kinematic plane and back. Kinematically the singularity of the field is represented by a particle⁸. We assume, and this is largely confirmed by experience, that apart from singularities there are no other channels of energy exchange between the field and kinematic planes. Therefore, energy cannot flow out of the field through regular currents.

As we saw in the previous section, outside the point singularity the field is Coulomb with a phase factor (12.12). As a four-dimensional region containing the singularity line, we take a certain hypercylinder V_4 of "height" (in a certain reference frame) $\Delta t = t_2 - t_1$, limited "above and below" by two time slices, i.e. spatial volumes $S_3^{(1)}$ and $S_3^{(2)}$ (Fig.2).

The speed of energy-momentum flow from a field to a particle or from a particle to a field in a 4-volume V_4 is defined as $\frac{dP}{dt} \Delta t$, where $P = (\epsilon, \mathbf{p})$ is the 4-momentum of the

⁸Hereinafter, a particle is understood as a point-like charged particle.

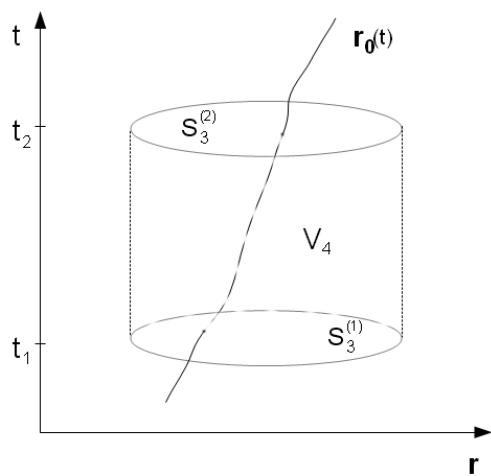


Рис. 2. Region with singularity

particle. For the energy balance, instead of (3.5) we get:

$$\frac{1}{2} \oint_{S_3} \mathbf{F}^* dZ\mathbf{F} = \frac{dP}{dt} \Delta t \quad (13.1)$$

where S_3 is the complete hypersurface bounding V_4 .

The Ostrogradsky-Gauss biquaternion formula (14.36), formulated for continuously differentiable functions, can be transferred to the case of singular functions using the apparatus of generalized functions. Considering the function $\mathbf{F}(Z)$ in (13.1) as a generalized one, we can rewrite the integral over the hypersurface S_3 as an integral over the 4-volume, as we did above in (3.6) for a regular function:

$$\oint_{S_3} \mathbf{F}^* dZ\mathbf{F} = \int_{V_4} (\mathbf{F}^* D\mathbf{F}) dV_4 \quad (13.2)$$

Assuming that the time interval Δt is small enough to neglect the change in $(\mathbf{F}^* dZ\mathbf{F})$ on it, the integral (13.2) can be expressed as the product integral over spatial volume $V_3 = S_3^{(1)} = S_3^{(2)}$ for time:

$$\int_{V_4} (\mathbf{F}^* D\mathbf{F}) dV_4 = \Delta t \int_{V_3} (\mathbf{F}^* D\mathbf{F}) dV_3 \quad (13.3)$$

Then (13.1) is transformed to the form:

$$\int_{V_3} (\mathbf{F}^* D\mathbf{F}) dV_3 = \frac{dP}{dt} \quad (13.4)$$

In a given 4-domain (not containing other singularities), at all points outside the trajectory of the singularity $\mathbf{r}_1(t)$ the function $(\mathbf{F}^* D\mathbf{F})$ turns to 0. This allows us to replace the indeterminate at the center a regular function $(\mathbf{F}^* D\mathbf{F})$ to a generalized δ -function:

$$(\mathbf{F}^* D\mathbf{F}) = A(t) \delta(\mathbf{r} - \mathbf{r}_1(t)) \quad (13.5)$$

where $A(t)$ is some regular function of time. Substituting (13.5) into (13.4), we find this function: $A(t) = \frac{dP}{dt}$, and as a result from (13.4) we get :

$$(\mathbf{F}^* D\mathbf{F}) = \frac{dP}{dt} \delta(\mathbf{r} - \mathbf{r}_1(t)) \quad (13.6)$$

This is *Maxwell nonlinear equation with the right side*, which serves as an analogue of the equation (3.11) in the presence of a singularity.

In the equation (13.6), the field \mathbf{F} is single - there is no division into the particle field and the external field. Such a conditional division can be carried out in the *quasilinear case*, when the general field can be represented as the sum of the fields of the particle \mathbf{F}_1 and the external field \mathbf{F}_e :

$$\mathbf{F} = \mathbf{F}_1 + \mathbf{F}_e \quad (13.7)$$

so that each of them separately satisfies the nonlinear equation in emptiness (3.11),

$$\begin{cases} (\mathbf{F}_1^* D\mathbf{F}_1) = 0 \\ (\mathbf{F}_e^* D\mathbf{F}_e) = 0 \end{cases} \quad (13.8)$$

and the total field \mathbf{F} satisfies a nonlinear equation with singularity (13.6).

Note that in order to obtain the charge \mathfrak{B}^{TM} 's own field \mathbf{F}_1 , satisfying the first of the equations (13.8), it is sufficient to supplement the centrally symmetric solution (12.12) zero value at the center of the singularity: $\mathbf{F}_1(t, \mathbf{r}_1(t)) = 0$. The last condition means the absence of self-interaction. Then, energy exchange through the singularity, described by the equation (13.4), will be reduced to an equation containing only *field interaction*:

$$\frac{1}{2}(\mathbf{F}_1^* D\mathbf{F}_e) + (\mathbf{F}_e^* D\mathbf{F}_1) = \frac{dP}{dt} \delta(\mathbf{r} - \mathbf{r}_1(t)) \quad (13.9)$$

or

$$\text{Re}\{\mathbf{F}_e^* \mathcal{J}_1 + \mathbf{F}_1^* \mathcal{J}_e\} = \frac{dP}{dt} \delta(\mathbf{r} - \mathbf{r}_1(t)) \quad (13.10)$$

where $\mathcal{J}_1 = D\mathbf{F}_1$ is the particle current (which for nonlinear solutions contains both singular and regular parts), $\mathcal{J}_e = D\mathbf{F}_e$ is the regular external field current. Each of the terms of the form $\mathbf{F}^* \mathcal{J}$ in (13.10) is an expression of the work (per unit time) of the corresponding field on the "opposite" current.

Let us represent the current \mathcal{J}_1 as the sum of singular and regular currents:

$$\mathcal{J}_1 = \mathcal{J}_{1sng} + \mathcal{J}_{1reg} \quad (13.11)$$

and according to this, we divide the equation (13.10) into singular and regular parts:

$$\begin{cases} \text{Re}\{\mathbf{F}_e^* \mathcal{J}_{1sng}\} = \frac{dP}{dt} \delta(\mathbf{r} - \mathbf{r}_1(t)) \\ \text{Re}\{\mathbf{F}_e^* \mathcal{J}_{1reg} + \mathbf{F}_1^* \mathcal{J}_e\} = 0 \end{cases} \quad (13.12)$$

The meaning of the first of the equations (13.12) is ordinary and consists in the fact that the transfer of energy to a charged particle is equal to the work of the external field on the charge. The second of these equations has a purely nonlinear nature and means mutual compensation of the work of the particle field and the external field above "opposite" regular current.

Let us see how the equations (13.12) in the limiting case yield the usual equations of motion of a charged particle in an external field. To do this, we need to take a linear external field: $\mathcal{J}_e = 0$, and a purely electric current of the singularity: $Im \mathcal{J}_1 = 0$. Under these conditions, the second equation (13.12) is satisfied trivially, and from of the first equation (13.12) and Lorentz covariance considerations for the 4-singularity current we obtain:

$$\mathcal{J}_{1sng} = e\gamma(1, \mathbf{v})\delta(\mathbf{r} - \mathbf{r}_1(t)) \quad (13.13)$$

The first of the equations (13.12) takes on the known form of the Lorentz force and its work per unit time on an electric charge of magnitude e from the external field $\mathbf{F}_e = \mathbf{E}_e + i\mathbf{H}_e$:

$$\begin{cases} e\mathbf{v} \cdot \mathbf{E}_e = \frac{d\epsilon}{dt} \\ e\mathbf{E}_e + e\mathbf{v} \times \mathbf{H}_e = \frac{d\mathbf{p}}{dt} \end{cases} \quad (13.14)$$

where $\mathbf{v} = \frac{d\mathbf{r}_1}{dt}$ is the velocity of the singularity, $\gamma = 1/\sqrt{1-v^2}$, and e is some real constant.

Let us now recall that the singularity field has a centrally symmetric form (12.10). From the identity⁹

$$\nabla \cdot \frac{\mathbf{r}}{r^3} = 4\pi\delta(\mathbf{r}) \quad (13.15)$$

it follows that the current for the field (12.10), extended to the central point, in the rest frame is equal to:

$$\mathcal{J}_{1sng} = D\mathbf{F} = \nabla \cdot \frac{\alpha\mathbf{r}}{r^3} = 4\pi\alpha\delta(\mathbf{r}) \quad (13.16)$$

Comparing the latter with (13.13), we get:

$$e = 4\pi\alpha \quad (13.17)$$

The constant α in (12.10) coincides with the charge e in (13.13) (up to a factor of 4π , which is due to our choice of system of units). This means that the magnitude of the particle charge as a field source coincides with the value of its "test" charge in the external field.

Let us make sure that the velocity of the singularity \mathbf{v} coincides with the velocity of the particle $\frac{\mathbf{p}}{\epsilon}$. From the constancy of the particle mass $\epsilon^2 - \mathbf{p}^2 = m^2$ the following relation follows:

$$\epsilon \frac{d\epsilon}{dt} = \mathbf{p} \cdot \frac{d\mathbf{p}}{dt} \quad (13.18)$$

Multiplying the first of the equations (13.14) by ϵ , and the second scalar by \mathbf{p} and applying (13.18), we arrive at the following equation:

$$\mathbf{E}_e \cdot (\epsilon\mathbf{v} - \mathbf{p}) = \mathbf{p} \cdot [\mathbf{v}\mathbf{H}_e] \quad (13.19)$$

This relation must hold for any external field $\mathbf{E}_e, \mathbf{H}_e$, which is only possible for $\mathbf{v} = \frac{\mathbf{p}}{\epsilon}$.

So, we are convinced that in the linear approximation the transition from nonlinear equations to ordinary equations for charge in an external field is carried out. With this transition, instead of one nonlinear equation, we have two separate equations: the classical Maxwell equation with the right-hand side (which in our case is the definition of current) and energy balance equation or Lorentz force.

⁹This identity is proven similarly to the more famous identity $\Delta \frac{1}{r} = -4\pi\delta(\mathbf{r})$

14. Coherent fields

Let us apply the same reasoning that we used in the previous section when deriving the formula (13.6) to the case when in the region under consideration there are n singularities described by trajectories $\mathbf{r}_i(t)$. As a result, we obtain the Lorentz-covariant equation:

$$\frac{1}{2}(\mathbf{F}^* D\mathbf{F}) = \sum_{i=1}^n \frac{dP_i}{dt} \delta(\mathbf{r} - \mathbf{r}_i(t)) \quad (14.1)$$

where P_i are the 4-momenta of each of the particles corresponding to these singularities.

Let us consider the quasilinear case of two *identical particles*. Wherein We will proceed from the assumption that the general field \mathbf{F} can be obtained as the sum of the fields \mathbf{F}_1 and \mathbf{F}_2 from each singularity separately:

$$\mathbf{F} = \mathbf{F}_1 + \mathbf{F}_2 \quad (14.2)$$

Let us consider some 4-region lying *outside the trajectories of both singularities*. As the individual fields of each of the singularities, we take their wave Coulomb fields (12.12):

$$\left\{ \mathbf{F}_1 = f_1 \mathbf{F}_{1_0}, f_1 = e^{i\phi_1} = \mathbf{F}_{1_0} e^{i(\omega_1 t \pm \mathbf{k}_1 \cdot \mathbf{r})} \quad \mathbf{F}_2 = f_2 \mathbf{F}_{2_0}, f_2 = e^{i\phi_2} = \mathbf{F}_{2_0} e^{i(\omega_2 t \pm \mathbf{k}_2 \cdot \mathbf{r})} \right. \quad (14.3)$$

where \mathbf{F}_{1_0} and \mathbf{F}_{2_0} are the usual Coulomb fields of each particle in the reference frame under consideration. The plus or minus sign within the wave phases for each of the fields will be determined below.

By analogy with the second equation (13.12), the nonlinear interaction of fields (outside singularities) will be written as:

$$Re\{\mathbf{F}_1^* \mathcal{J}_2 + \mathbf{F}_2^* \mathcal{J}_1\} = 0 \quad (14.4)$$

where $\mathcal{J}_1 = D\mathbf{F}_1$ and $\mathcal{J}_2 = D\mathbf{F}_2$ are the regular currents of each particle. Based on (9.5) and (14.3) for the current \mathcal{J}_1 we obtain:

$$\mathcal{J}_1 = if_1 \mathbf{F}_{1_0} \overline{K}_1 \quad (14.5)$$

where $K_1 = K_1(t) = (\omega_1, \mathbf{k}_1)$. A similar expression is obtained for the current \mathcal{J}_2 . The equation (14.4) is rewritten as:

$$Im\{fA + f^*B\} = 0 \quad (14.6)$$

where $f = f_2 f_1^*$ and

$$\begin{cases} A = \mathbf{F}_{2_0} \overline{K}_2 \mathbf{F}_{1_0}^* \\ B = \mathbf{F}_{1_0} \overline{K}_1 \mathbf{F}_{2_0}^* \end{cases} \quad (14.7)$$

Let us denote $\Delta K = K_2 - K_1$. Then A can be represented as:

$$A = \mathbf{F}_{2_0} (\overline{K}_1 + \overline{\Delta K}) \mathbf{F}_{1_0}^* = B^* + \mathbf{F}_{2_0} \overline{\Delta K} \mathbf{F}_{1_0}^* \quad (14.8)$$

The result (??) will be expressed as:

$$Im\{fB^* + f^*B + f\mathbf{F}_{2_0} \overline{\Delta K} \mathbf{F}_{1_0}^*\} = 0 \quad (14.9)$$

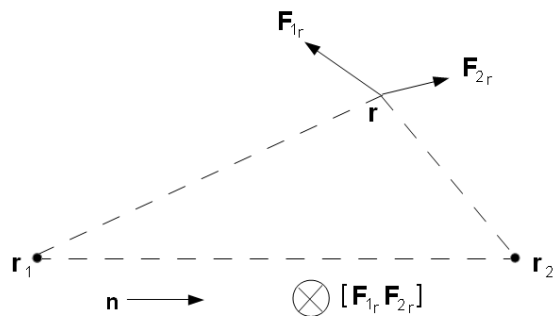


Рис. 3. Two charges

or

$$Im\{f\mathbf{F}_{20}\overline{\Delta K}\mathbf{F}_{10}^*\} = 0 \quad (14.10)$$

Let us consider the movement of particles in the system of their center of mass. Since the particles are assumed to be identical, then the 4-momentum and 4-wave vector of each of them are related by the equation (12.13) to the same λ . Hence, $\mathbf{k}_1 = -\mathbf{k}_2 = \mathbf{k}$, $\omega_1 = \omega_2$, $\Delta K = -2\mathbf{k}$.

$$f\mathbf{F}_{20}\overline{\Delta K}\mathbf{F}_{10}^* = -2f(i[\mathbf{F}_{10}^*\mathbf{F}_{20}] \cdot \mathbf{k}, (\mathbf{F}_{20}\mathbf{k})\mathbf{F}_{10}^* + \mathbf{F}_{20}(\mathbf{F}_{10}^*\mathbf{k}) - \mathbf{k}(\mathbf{F}_{10}^*\mathbf{F}_{20})) \quad (14.11)$$

The fields of moving charges in the center of mass system $\mathbf{F}_{10}, \mathbf{F}_{20}$ are obtained from the fields of stationary charges $\mathbf{F}_{1r}, \mathbf{F}_{2r}$ using two suitable boosts of opposite speeds \mathbf{V} and $-\mathbf{V}$ (2.6):

$$\begin{cases} \mathbf{F}_{10} = \text{ch } 2\theta\mathbf{F}_{1r} - 2\text{sh}^2\theta(\mathbf{F}_{1r}\mathbf{n})\mathbf{n} + i\text{sh } 2\theta[\mathbf{F}_{1r}\mathbf{n}] \\ \mathbf{F}_{20} = \text{ch } 2\theta\mathbf{F}_{2r} - 2\text{sh}^2\theta(\mathbf{F}_{2r}\mathbf{n})\mathbf{n} - i\text{sh } 2\theta[\mathbf{F}_{2r}\mathbf{n}] \end{cases} \quad (14.12)$$

where the boost parameters \mathbf{n} and θ are related to its speed by the relation $\mathbf{V} = \mathbf{n} \text{th } 2\theta$. Obviously, $\mathbf{k} \parallel \mathbf{n}$.

\mathbf{F}_{1r} and \mathbf{F}_{2r} are the usual (real) Coulomb fields of each particle, each taken in the rest frame of its particle, in which they are directed along their radius vectors. The latter can be expressed using the Lorentz transformation (2.1) through the coordinates of the point under consideration (t, \mathbf{r}) . Thus, the relative radius vector \mathbf{R}'_1 for $\mathbf{F}_{1r} = \frac{\alpha\mathbf{R}'_1}{R_1'^3}$ is equal to

$$\mathbf{R}'_1 = \mathbf{r}' - \mathbf{r}'_1 = \mathbf{R}_1 - \mathbf{n}(t\text{sh } 2\theta - 2(\mathbf{R}_1\mathbf{n})\text{sh}^2\theta) \quad (14.13)$$

where $\mathbf{R}_1 = \mathbf{r} - \mathbf{r}_1$ is the radius vector in the center of mass system. We have a similar expression for \mathbf{R}'_2 - the radius vector defining \mathbf{F}_{2r} . Important, that the vectors \mathbf{F}_{1r} and \mathbf{F}_{2r} lie in the plane of the vectors \mathbf{r} and \mathbf{n} shown in Fig.3. This is quite obvious from the fact that these vectors are directed along the corresponding radius vectors \mathbf{R}'_1 and \mathbf{R}'_2 in their rest frames, and the radius vector, when transformed into a center of mass reference frame, does not acquire component transverse to \mathbf{n} . From this, according to (14.12), it follows:

$$\begin{cases} [\mathbf{F}_{10}^*\mathbf{F}_{20}] \cdot \mathbf{k} = 0 \\ Im\{(\mathbf{F}_{10}^*\mathbf{F}_{20})\} = 0 \end{cases} \quad (14.14)$$

Then, taking into account (14.11), condition (14.10) reduces to the reality of the function f :

$$\text{Im}f = 0 \quad (14.15)$$

Because

$$f = e^{i(\phi_2(t,\mathbf{r})-\phi_1(t,\mathbf{r}))} \quad (14.16)$$

then the condition (14.15) means *phase matching* of the wave fields of singularities for any values of t and \mathbf{r} :

$$\phi_1(t, \mathbf{r}) = \phi_2(t, \mathbf{r}) \quad (14.17)$$

As can be seen from what follows, an additional non-zero phase shift $2\pi n$ is impossible.

Now we can turn to the question of which sign ("plus" or "minus") should be chosen for the phases of each of the particles in their wave functions (14.3). Let \mathbb{T}^{TM} s take the minus sign for the first particle:

$$\phi_1 = \omega_1 t - \mathbf{k}_1 \cdot \mathbf{r} \quad (14.18)$$

From here, from (14.17) in the center of mass system for the second particle we obtain:

$$\phi_2 = \phi_1 = \omega_2 t + \mathbf{k}_2 \cdot \mathbf{r} \quad (14.19)$$

those. in its phase the plus sign must be selected. We come to the important conclusion that in order to coordinate the fields of particles, their wave phases must be *conjugate*: the minus sign of the first particle corresponds to the plus sign of the second, and vice versa - The plus sign for the first particle corresponds to the minus sign for the second particle. The first of these options is written as:

$$\begin{cases} \mathbf{F}_1 = \mathbf{F}_{1_0} e^{i(\omega_1 t - \mathbf{k}_1 \cdot \mathbf{r})} \\ \mathbf{F}_2 = \mathbf{F}_{2_0} e^{i(\omega_2 t + \mathbf{k}_2 \cdot \mathbf{r})} \end{cases} \quad (14.20)$$

From the above analysis it follows that phase matching of fields is required for a quasi-linear representation of the total field in the form of a sum of fields each of the particles (14.2). If the fields are not consistent, then such a representation is impossible, which effectively requires introduction of a third field in total, which should be the radiation field. The work to compensate for this field can be assessed as the left side (14.4), which therefore plays the role of nonlinear interaction of inconsistent fields. Based on the above, it can be assumed that Matched fields minimize nonlinear interaction, which in case of mismatch leads to radiation.

The minus and plus signs within the wave phase obviously describe waves traveling in the direction of the particle's velocity and in the opposite direction, respectively. When the phases of particles moving towards each other are coordinated, their waves turn out to be traveling in the same direction.

Above we studied the joint field of two identical particles in the quasilinear case in the region outside singularities. Let's see what happens now on the singularities themselves. From the first equation (13.12) applied to the first of the singularities, we get the following equation of motion of its particle:

$$\text{Re}\{\mathbf{F}_2^* \mathcal{J}_{1sng}\} = \frac{dP_1}{dt} \delta(\mathbf{r} - \mathbf{r}_1(t)) \quad (14.21)$$

But since the phases \mathcal{J}_{1sng} and \mathbf{F}_2 for matched fields cancel each other, we arrive at the equations of motion of one charged particle under the influence of the electric Coulomb field of another charged particle, which take place in ordinary electrodynamics.

Quasilinear field matching "hides" nonlinear effects in observing the motion of charged particles, and instead of inaziinteraction of electromagnetic charges, in this case we obtain the interaction of ordinary electric charges, as stated above at the end of Section 12. However, in principle, more complex nonlinear cases of interaction of charges are possible, in which their electromagnetic nature can manifest itself. In this work we do not consider such cases, leaving their study for the future.

Conclusions

The main goal of this work was to show that Maxwell equations are a consequence the principle of conservation of field energy flow. However, by solving this problem, we obtained broader nonlinear equations. In general form, including equations (3.11) for a free field and equations (14.1) for a field with n singularities, these equations have the form:

$$\frac{1}{2}(\mathbf{F}^* D\mathbf{F}) = \sum_{i=1}^n \frac{dP_i}{dt} \delta(\mathbf{r} - \mathbf{r}_i(t)), \quad n \geq 0 \quad (14.22)$$

It is important that in these equations \mathbf{F} there is a single field, not divided into free fields and fields of individual particles.

Maxwell classical linear equations turn out to be embedded in these nonlinear equations in a special way and are their limiting case. The physical meaning of the free field equations we obtained is that this field can be created by its own source structures, on which it does not perform work. We defined this relationship between the field and its own sources as recursive.

It is well known that light is an essentially spatiotemporal phenomenon in which it is impossible separate spatial and temporal components from each other. But in the classical Maxwell equations for a field in emptiness (8.2), the differentiation operators with respect to the spatial coordinate and time are linearly separated (entered as terms). At the same time, similar nonlinear equations (3.14) are characterized by the inseparability of these operators, since they enter the equations in a more complex form than a simple sum. This suggests that nonlinear equations are more useful than linear equations for describing real light.

We called our own field sources regular charges and currents, in contrast to ordinary singular charges and currents. Classical electrodynamics deals either with singular sources or with a complete absence of sources. Our study examines the theoretical possibility of the existence of non-singular (regular) field sources.

Nonlinear free field equations admit among their solutions not completely transverse, having a longitudinal component, plane waves. The criterion for the existence of such solutions is the presence of a non-zero regular current. Otherwise, we have an ordinary transverse wave. The presence of a longitudinal component in light waves can explain the fact that light has its own angular momentum, which is impossible in the case of purely transverse waves.

In section 11 it was found that if we limit the consideration to flat normal fields, then nonlinear equations, unlike linear ones allow solutions that have a swirling energy flow. Nonlinearity here manifests itself as the ability to form vortex structures of energy-momentum flow, which is largely determined by the Umov-Poynting vector - we define the twist in the form of a rotor of this vector. Specific examples show the fundamental difference between solutions of nonlinear equations from solutions of linear equations in terms of the possibility of the existence of vortex structures of a free field.

Particular attention in the work is paid to the problem of dividing the field into the "intrinsic" field of a charged particle and a field "external" to it. From the nonlinear field equations follow both the classical Maxwell equations themselves and the equations of charge motion under by the Lorentz force. Thus, we have given a solution to the problem posed in the introduction of finding nonlinear field equations that include interaction. Unlike classical electrodynamics, Our equations clearly show why the test charge of a particle and its charge as a field source coincide. Another important consequence of the inclusion of interaction in the fundamental field equations is the absence of the need to use the Lagrangian formalism.

The simplest and at the same time important class of nonlinear fields are accompanying solutions of the form (9.2), which are ordinary Maxwellian fields endowed with a wave factor. The existence of such solutions shows, at least for the case of two particles we studied, that the known global dual transformations have a generalization in the form of local phase transformations.

The appearance of field solutions of the form of a Coulomb wave (12.12), combining the field of a point charge and a wave, brings together classical electrodynamics and quantumvuy mechanics and indicates the possibility of an electromagnetic description de Broglie wave of the electron. This allows us to talk about a different view of wave-particle duality. The concept of an electromagnetic wave in nonlinear electrodynamics is thus is not limited to light, but also applies to particle fields. Moreover, the waves describing these two fundamental types of field structures fundamentally different.

In the works of [9],[13] it was shown that the field of the electromagnetic wave itself, in a certain sense, plays a role quantum mechanical wave function of a photon: the square of its modulus determines the mathematical expectation of the energy density (and not the position of the photon particle, which is impossible) at a given point in space. The nonlinear solution we obtained (12.12) indicates that for a charged particle, a similar "energy" wave function can be specified by its complex-valued electromagnetic field.

Table 1 provides a summary of the main differences in electrodynamics resulting from nonlinear equations (14.22), from classical linear electrodynamics¹⁰.

In addition to describing a particle as an electromagnetic wave, equation-based nonlinear electrodynamics (14.22) exhibits a number of other similarities with quantum field theory. Thus, phase matching for two identical charged particles is a classical analogue of the Pauli principle: the fields of these particles are consistent when their phases are conjugate.

Phase matching leads to the existence, along with the usual Coulomb interaction, of phase interaction, similar to quantum mechanical spin, or exchange, interaction. In both cases, the interaction is determined by the overlap of the corresponding wave

¹⁰The curl of the energy flow is understood as the rotor of the Umov-Poynting vector, and possible solutions are limited to the class of normal plane fields.

ТАБЛИЦА 1

	Linear ED	Nonlinear ED
Basic principles	ur. Maxwell + interaction	conservation of energy
Energy representation	no	yes
Space and time operators	are separated	inseparable
Description of particles and fields	separate	joint
Light	transverse waves	+ longitudinal waves
Torsion of energy flow	no	yes
Charged particle	point singularity	+ wave
Charges and currents	singular	+ regular
Charges	electric	electromagnetic
Charge interaction	Coulomb	+ phase

functions. The sign " \pm " inside the wave phase expresses a discrete degree of freedom, like a half-whole back.

The complexity of the charge and the presence of its phase is perhaps the most striking consequence of the nonlinearity of the field equations we obtained. In our approach, the charge of the particle is electromagnetic, periodically passing through various linear combinations of electric and magnetic charges from purely electric to purely magnetic. In real processes of interaction of charged particles with each other and the field, it is not the charge of the particle itself that plays a role, but its phase relationship with other charges and fields. In this way, the old riddle of the "absence" of magnetic charges in nature when they are present in theory is resolved.

In fact, there are neither purely electric nor purely magnetic charges. The usual interaction of charged particles, due to the requirements of energy efficiency, is reduced to an interaction similar to the Coulomb interaction of electric charges. In other words, electromagnetic charges "in ordinary life" look like electric ones. With all this, we can expect the observation of new physical effects of nonlinear interaction, in which the electromagnetic nature of the charges will manifest itself - an interaction in which the phases of the particles do not have time to adjust to each other.

According to quantum field theory, strong electromagnetic fields polarize the vacuum, which in turn leads to the appearance of corrections in the Maxwellian Lagrangian of these fields [17]. Taking into account the effects of vacuum polarization can be interpreted as nonlinearity of electrodynamics. "Quantum effects create a non-zero right-hand side (current) even in the absence of charged particles in the initial state" [18]. This allows us to correlate our regular currents with vacuum currents. Both currents have an additional effect compared to ordinary "external" currents.

Meanwhile, there is a fundamental difference between these two approaches. In our case, continuous currents exist initially in Maxwell's nonlinear equations, while in quantum field theory, Maxwell linear equations are supplemented by currents built on the summation of the set discrete events of the birth of particle-antiparticle pairs.

In this article, we studied singularities of the centrally symmetric type, which correspond to the charge of particles. For completeness the picture requires the study of an axis-centric solution of nonlinear equations describing the magnetic moment of the particle. In

the same plane lie questions about the connection between the nonlinear equations we obtained and the angular momentum of the electromagnetic field and its spin. Also, a natural continuation of the topic should be a nonlinear description of radiation processes. Discovering these and other questions will help reveal deeper connections between classical nonlinear electrodynamics and quantum field theory and take full advantage of the capabilities of Maxwell equations and their generalizations.

The author thanks A.V. Goryunov for discussion and useful advice.

Appendices

1. Algebra of biquaternions. As in our work [15] (p. 160) we use scalar-vector representation of biquaternions, in which the biquaternion \mathcal{B} is a bundle of complex numbers s and three-dimensional complex vector \mathbf{u} :

$$\mathcal{B} = (s, \mathbf{u}) \equiv s + \mathbf{u}, \quad s \in \mathbb{C}, \mathbf{u} \in \mathbb{C}^3 \quad (14.23)$$

and the product of two biquaternions $\mathcal{B}_1 = (s_1, \mathbf{u}_1)$ and $\mathcal{B}_2 = (s_2, \mathbf{u}_2)$ is defined as:

$$\mathcal{B}_1 \mathcal{B}_2 = (s_1 s_2 + (\mathbf{u}_1 \cdot \mathbf{u}_2), s_1 \mathbf{u}_2 + s_2 \mathbf{u}_1 + i(\mathbf{u}_1 \times \mathbf{u}_2)), \quad (14.24)$$

where $(\mathbf{u}_1 \cdot \mathbf{u}_2)$ and $(\mathbf{u}_1 \times \mathbf{u}_2)$ - scalar and vector the products of \mathbf{u}_1 and \mathbf{u}_2 respectively.

In this representation, quaternions, as a special case of biquaternions, have the form:

$$Q = (\alpha, i\mathbf{a}), \quad \alpha \in \mathbb{R}, \mathbf{a} \in \mathbb{R}^3 \quad (14.25)$$

It is important to distinguish quaternions from real biquaternions, which have the form:

$$\mathcal{B} = (\alpha, \mathbf{a}), \quad \alpha \in \mathbb{R}, \mathbf{a} \in \mathbb{R}^3 \quad (14.26)$$

Real biquaternions play a special role in our approach since the space-time coordinate Z and energy-momentum K are just such quantities.

The space of biquaternions has a basis [5](p.141) e_n , $n = 0, 1, 2, 3$: $e_0 = 1$ and for $k > 0$:

$$\begin{cases} e_k^2 = 1 \\ e_i e_j = -e_j e_i = i e_k, \end{cases} \quad (14.27)$$

where i, j, k are cyclically permutable indices 1,2,3. The basis biquaternions e_n are real. An arbitrary biquaternion \mathcal{B} is expanded over this basis:

$$\mathcal{B} = \sum_{n=0}^3 e_n b_n, \quad b_n \in \mathbb{C} \quad (14.28)$$

Thus, for a real-valued space-time coordinate Z we have:

$$Z = (t, \mathbf{r}) = \sum_{n=0}^3 e_n x_n, \quad (14.29)$$

where $x_0 = t$, $(x_1, x_2, x_3) = \mathbf{r}$.

A biquaternion whose measure is 1 is called *unitary*.

The operations of conjugation and complex conjugation applied to the product of biquaternions change the order of the factors:

$$\overline{\mathcal{B}_1 \mathcal{B}_2} = \overline{\mathcal{B}_2} \overline{\mathcal{B}_1} \quad (14.30)$$

$$(\mathcal{B}_1 \mathcal{B}_2)^* = \mathcal{B}_2^* \mathcal{B}_1^* \quad (14.31)$$

Two biquaternions \mathcal{B}_1 and \mathcal{B}_2 are *orthogonal* if $Sc(\mathcal{B}_1 \mathcal{B}_2) = 0$.

2. Ostrogradsky-Gauss biquaternion formulas. For quaternion functions $f(Q)$ of the quaternion argument¹¹ $Q = (t, \mathbf{r})$, continuously differentiable with respect to each of the coordinates t, x, y, z inside some region V_4 of pseudo-Euclidean space and on its boundary $S_3 = \partial V_4$, formulas of the Ostrogradsky-Gauss type [7],[?] hold:

$$\oint_{S_3} f dQ = \int_{V_4} f \hat{D} dV_4 \quad (14.32)$$

$$\oint_{S_3} dQ f = \int_{V_4} \hat{D} f dV_4 \quad (14.33)$$

where $\hat{D} = \frac{\partial}{\partial t} + \mathbf{i} \frac{\partial}{\partial x} + \mathbf{j} \frac{\partial}{\partial y} + \mathbf{k} \frac{\partial}{\partial z}$, $\mathbf{i}, \mathbf{j}, \mathbf{k}$ - basic quaternions, $Q = t + \mathbf{i}x + \mathbf{j}y + \mathbf{k}z$. In (14.32) the operator \hat{D} acts to the left of itself, and in (14.33) - to the right.

In [5] it is proven that similar formulas hold for biquaternion functions F of a real biquaternion argument Z :

$$\oint_{S_3} F dZ = \int_{V_4} (FD) dV_4 \quad (14.34)$$

$$\oint_{S_3} dZ F = \int_{V_4} (DF) dV_4 \quad (14.35)$$

Here D denotes the biquaternion gradient¹²: $D = (\partial_t, \nabla)$

Let us show that there is an extension of these formulas to the case of two functions $F(Z), G(Z)$ of a real biquaternion argument Z .

$$\oint_{S_3} F dZ G = \int_{V_4} (FDG) dV_4 \quad (14.36)$$

Where

$$(FDG) = (FD)G + F(DG) \quad (14.37)$$

The operator D is expanded in a biquaternion basis (??) as: $D = \sum_{k=0}^3 e_k \partial_k$, and the coordinate differential as: $dZ = \sum_{i=0}^3 e_i dx_i$. The left side of the formula (14.35) will be expressed as:

$$\oint_{S_3} dZ F = \oint_{S_3} \left(\sum_{i=0}^3 e_i dx_i \right) F = \oint_{S_3} \sum_{i=0}^3 (e_i F) dx_i = \oint_{S_3} \sum_{i=0}^3 F_i dx_i \quad (14.38)$$

¹¹Here we use the quaternion representation, which differs from (14.25) by the absence of the factor i in front of the vector part.

¹²Our definition is different from the definition used in the [5] paper, where D denotes $(\partial_t, -\nabla)$.

where it is designated: $F_i = e_i F$. For the right side (14.35) we get:

$$\int_{V_4} (DF) dV_4 = \int_{V_4} \left(\sum_{k=0}^3 e_k \partial_k \right) F dV_4 = \int_{V_4} \sum_{k=0}^3 \partial_k (e_k F) dV_4 = \int_{V_4} \sum_{k=0}^3 \partial_k F_k dV_4 \quad (14.39)$$

T.o. (14.35) can be expressed in the form standard for vector analysis:

$$\oint_{S_3} \sum_{i=0}^3 F_i dx_i = \int_{V_4} \sum_{k=0}^3 \partial_k F_k dV_4 \quad (14.40)$$

It is important to note that the coefficients $F_i = (s_i, \mathbf{F}_i)$ are themselves biquaternions. In this case, generally speaking, the existence of the function F is not required: $F_i = e_i F$, and it is sufficient only for each of the four functions F_i to be continuously differentiable with respect to each of the coordinates. Indeed, let's consider formula (14.40) in particular for scalar components s_i :

$$\oint_{S_3} \sum_{i=0}^3 s_i dx_i = \int_{V_4} \sum_{k=0}^3 \partial_k s_k dV_4 \quad (14.41)$$

This is the Ostrogradsky-Gauss formula in 4-dimensional Euclidean space for a vector function having components s_i . In a similar way, the formula (14.40) is satisfied for each of the vector components F_i .

Let's use the same basis expansion technique to prove the formula (14.36). Its left side:

$$\oint_{S_3} F dZG = \oint_{S_3} F \left(\sum_{i=0}^3 e_i dx_i \right) G = \oint_{S_3} \sum_{i=0}^3 (F e_i G) dx_i = \oint_{S_3} \sum_{i=0}^3 A_k dx_i, \quad (14.42)$$

where $A_k = F e_k G$ is denoted. The formula (14.40) is applicable to the last integral:

$$\oint_{S_3} \sum_{i=0}^3 A_k dx_i = \int_{V_4} \sum_{k=0}^3 \partial_k A_k dV_4 = \int_{V_4} (FDG) dV_4, \quad (14.43)$$

where we took into account that:

$$\begin{aligned} \sum_{k=0}^3 \partial_k A_k &= \sum_{k=0}^3 \frac{\partial}{\partial x_k} (F e_k G) = \sum_{k=0}^3 \left(\frac{\partial F}{\partial x_k} e_k G + F e_k \frac{\partial G}{\partial x_k} \right) = \\ &= \left(\sum_{k=0}^3 \frac{\partial F}{\partial x_k} e_k \right) G + F \left(\sum_{k=0}^3 e_k \frac{\partial G}{\partial x_k} \right) = (FDG) \end{aligned} \quad (14.44)$$

Thus, the formula (14.36) is proven.

As is known from the theory of differential forms, the Ostrogradsky-Gauss and Stokes formulas are a consequence of the general theorem on the external derivative [16] (p. 154). A remarkable circumstance is that the biquaternion formula (14.34), applied to vector functions in three-dimensional space, gives both of these formulas simultaneously. If we take $F = \mathbf{F}(\mathbf{r})$ in (14.34), then integration over the time coordinate is reduced

to multiplication by the corresponding time interval Δt , and we obtain the following formula:

$$\Delta t \oint_{S_2} (\mathbf{F} \cdot d\mathbf{r}, i\mathbf{F} \times d\mathbf{r}) = \Delta t \int_{V_3} (\nabla \cdot \mathbf{F}, -i\nabla \times \mathbf{F}) dV_3, \quad (14.45)$$

which splits into scalar and vector parts:

$$\oint_{S_2} \mathbf{F} \cdot d\mathbf{s} = \int_{V_3} (\nabla \cdot \mathbf{F}) dV_3 \quad (14.46)$$

$$\oint_{S_2} d\mathbf{s} \times \mathbf{F} = \int_{V_3} (\nabla \times \mathbf{F}) dV_3, \quad (14.47)$$

In the formula (14.46) we replaced $d\mathbf{r}$ with $d\mathbf{s}$, because here $d\mathbf{r}$ has the usual meaning in vector analysis of the oriented area of the two-dimensional surface S_2 : $d\mathbf{s} = \mathbf{n}ds$, where \mathbf{n} is the normal to this surface. (14.46) is the classical Ostrogradsky-Gauss formula. (14.47) is a generalized Stokes formula for three-dimensional volume, which can be shown to be equivalent the usual Stokes formula for circulation along the boundary of a two-dimensional surface.

References

СПИСОК ЦИТИРОВАННОЙ ЛИТЕРАТУРЫ

- [1] K. L. Lanczos, *The Functional Theoretical Relationships of the Homogeneous Maxwell Equations* Verlagsbuchhandlung Josef Nemeth, Budapest (1919), arXiv:physics/0408079
- [2] L. Silberstein, *Philos. Mag. S. 6*, **23** (137) (1912), “Quaternionic Form of Relativity”, 1912, № 23 (137), 790-809.
- [3] A. A. Chernitsky, *Nonlinear electrodynamics: singular solitons and their interactions*, SPbSIEU, St. Petersburg., 2012.
- [4] D. Delphenich, “Nonlinear Electrodynamics and QED”, arXiv:hep-th/0309108, 2003.
- [5] K. Imaeda, “A new formulation of classical electrodynamics”, *Nuovo Cimento B Vol 32:1*, 1978, 138-162.
- [6] C. Mizner, K. Thorne, J. Wheeler, *Gravity*, **1**, World, M, 1977, 186.
- [7] C. A. Deavours, “The Quaternion Calculus”, *American Mathematical Monthly*, 1973, 995-1008.
- [8] A. V. Berezin, Yu. A. Kurochkin, E. A. Tolkachev., *Quaternions in relativistic physics*, Science and technology, Minsk, 1989.
- [9] I. Bialynicki-Birula, “Photon Wave Function”, *Progress in Optics*, **36** (1996), 8-9 arXiv:quant-ph/0508202.
- [10] L. D. Landau, E. M. Lifshits, *Theoretical physics.*, **2**, Science, M., 1988.
- [11] L. D. Landau, E. M. Lifshits, *Theoretical physics*, **8**, Science, M., 1982, 15.
- [12] V. I. Strazhev, L. M. Tomilchik, *Electrodynamics with magnetic charge*, Science and technology, Minsk, 1975.

- [13] M.G. Raymer, B.J. Smith, "The Maxwell wave function of the photon", *arXiv:quant-ph/0604169*, 2006.
- [14] A. Sudbery, "Quaternionic analysis", *Math. Proc. Camb. Phil. Soc.*, **85** (1979), 199-225.
- [15] S. Ya. Kotkovsky, "Null-vector algebra", *Hypercomplex numbers in geometry and physics*, **2(23)**, **volume 12** (2015), 159-172 <http://hypercomplex.xpsweb.com/page.php?lang=ru&id=761>.
- [16] V. I. Arnold, *Mathematical methods of classical mechanics*, Science, M., 1974, 164.
- [17] A. A. Grib, S. G. Mamaev, V. M. Mostepanenko, *Vacuum quantum effects in strong fields*, Energoatomizdat, M., 1988.
- [18] Ya. B. Zeldovich, I. D. Novikov, *Structure and evolution of the Universe*, Science, M., 1975, 639-647.

Sergey Kotkovsky

E-mail: s_kotkovsky@mail.ru

Поступило

February 27, 2022

Machine-translated from Russian. Original paper:

С.Я. Котковский, "Нелинейные уравнения Максвелла"

<https://vixra.org/abs/2109.0213>