

Direct current pushed by thought force flows in two directions in a single-wire without return at the same time

Tamás Lajtner

Abstract

Thought is force. Thought force can be detected by thought force sensor. If we place two thought force sensors in two separate DC circuits and we connect these circuits with a single-wire without return, we get an unorthodox DC circuit. Here, the two DC circuits are not closed in the ordinary acceptance of the term, yet both thought sensors can be controlled with the same thought force via the single-wire. This is only possible, if current flows in two different directions simultaneously in the single-wire without return that connects the two DC circuits.

Keywords: thought force sensor, DC current, unorthodox DC circuit, single-wire connection

1. Background

Circuit *noun* (closed system) Physics

a closed system esp. of wires through which electricity can flow

Circuit *noun* (circle)

something shaped like a circle

Dictionary.cambridge.org

The DC circuit in Fig. 1 does not need any explanation. It was put here because it is very important to understand that the present article shows an unconventional, very special circuit. This unorthodox circuit does not form a circle.

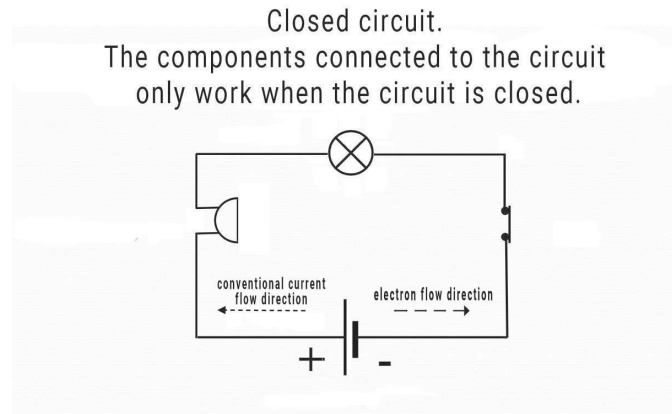


Figure 1. A simple, conventional DC circuit everybody knows¹.

The current flows into one direction.

The new, surprising DC circuit has been found in the research of thought force. The author has researched the measurable force of thought for more than 25 years. Thought force is a very irregular topic and it is unwelcomed in today's academic science. Therefore, there must be a few remarks given.

1. What is measurable thought? In the science nowadays, it is the electromagnetic signals of the brain². These signals cannot mean the thought itself, since they are created at the discharge of the charges that are created when the moving positive ions enter the standing i.e. not moving, negative neurons in the brain. What moves the ions? The force of thought.

2. Thought force cannot be explained by the known fundamental forces³, therefore the mainstream scientists refuse to accept the existence of thought force. This attitude is simply false, thought force exists⁴, it can be proofed. Even more, the research of thought force shows that thought itself is force⁵.

3. Thought as force acts on real objects it causes measurable or immeasurable moving or changes on things⁶. Therefore, it is possible to design thought force sensors.

4. How does thought force reach the sensor? She/he needs to concentrate, focus on this sensor to send her/his thought force to the thought force sensor.

5. How does a sensor detect the force of thought? Via its special movement. This movement is proportional to the force of thought. The signals caused by thought force are small, since the force of thought is small too, therefore, we need special sensors. The detected thought force makes possible to build a thought power meter. The power and the energy of thought can be measured as well.

6. The author of this paper has invented more kinds of thought force sensors, they will be presented after the epidemy.

7. Are these sensors about the electromotive force⁷ caused by thought? According to the current definition, we can call the electricity caused by thought force as electromotive force. "Electromotive force is the characteristic of any energy source capable of driving electric charge around a circuit... One terminal of the device becomes positively charged, the other becomes negatively charged..." writes Britannica.com.

8. More on thought force here: lajtner.com.

9. The direct reason for writing this article was a surprising discovery of a very strange DC circuit. This circuit seems to be contradicted with the basics of electricity, but it works. Here is no needed a circle-like circuit, all we need is only one single-wire, and yet it works. The question is why?

2. Thought force sensor in orthodox electric circuit

Nowadays there are many sensors in the shops like fire, smoke, light, sounds etc. sensors. But there are no thought force sensors at all. If we need a thought force sensor we ourselves have to produce it. The main characteristic of a thought force sensor is that it is able to make measurable the force of thought. In the mainstream science thought force does not exist, because it cannot be explained with the four, known fundamental interactions. It exists, and it is evincible by the changes of some well-known characteristics of an electric part or circuit like resistance, voltage, current, etc. Please accept that the author has his business secret, therefore he may not publish more details of the structure of his thought force sensor. However, the following can be understood without knowing the structure of thought force sensor.

Until last months the author thought a circuit that contains a thought force sensor is an orthodox electronic circuit. Its only extraordinary specialty is the thought force sensor in it.

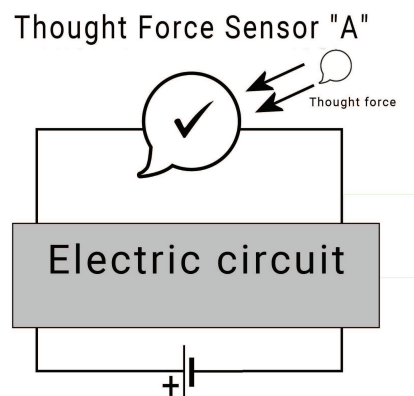


Figure 2. Thought force sensor in a classic circuit. In order for it to work, the human being has to concentrate on the thought force sensor that is marked with the thought picture and check mark. The arrows with a small thought picture symbolize the flowing force of thought.

Fig. 2 shows a thought force sensor in a known DC circuit. This configuration is new, because the thought force sensor is unique, but the electric circuit is a common circuit.

3. Thought force sensor in unorthodox electric circuit

In recent months, the author run into a phenomenon that was expected, yet it was surprising. It was expected because the force of thought is a force like any other force. According to the physics definition of force is the following: a force is a push or pull phenomenon that changes the motion of an object. But the following is still surprising.

Thought force needs only one single-wire to change the states of two (or more) thought force sensors. It is possible to run two thought force sensors that are in different circuits, and these circuits are electrically not orthodoxly connected. Or saying it differently, one single-wire connects the two DC circuits, and in the connecting wire the current flows in two different directions.

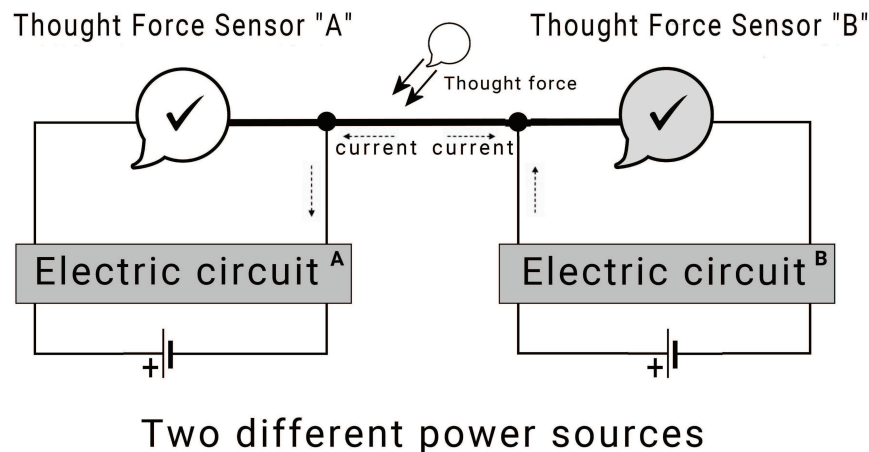


Figure 3. Current flows in two different directions in the same single-wire, because thought force acts on this single-wire. Here thought force sensors are in an unorthodox circuit built of two conventional circuits. The two conventional circuits are electrically not connected at the usual way i.e. the DC circuits are not closed in the ordinary acceptance of the term. But they

are not independent, because they have a common part. This common part runs both circuits at an unconventional way. This common part is not like e.g. a relay⁸ that have more outputs.

This is a connection using a single-wire with no return. Note it is not a circuit that uses higher frequencies, this is not Tesla's "transmission of electrical energy through one wire without return"⁹, this is not a tuned circuit i.e. capacitor and inductor are not connected together as resonator¹⁰ etc.

This is in principle new circuit arrangement.

In Fig. 3 both thought force sensors have two legs. The special wire connects one leg of the "sensor A" with one leg of the "sensor B". Both thought force sensors can be controlled by the same thought force that acts on the special wire marked with a thick line. The current generated by thought force flows in two different directions. This is a DC circuit, where this phenomenon is new.

Is this really a new phenomenon? Maybe it is not. The idea would be arisen on its own that the special wire is a common antenna of the two thought sensors, but there is no such antenna we know. Or it may be called a thought force sensor in the form of wire, which is also not true.

This is a new phenomenon, where *current flows in two different directions at the same time in this special, single-wire in a DC structure.*

How and why does it work?

4. Pressure runs direct current in two different directions

The two electric circuits in Fig. 3 work as one system. It is like a gas pipeline system. Under proper conditions gas flows in two (or more) directions, although there is only a single

pipe from where the gas starts. Fig. 4 shows a simple gas pipeline system everybody knows. Here force appears as pressure.

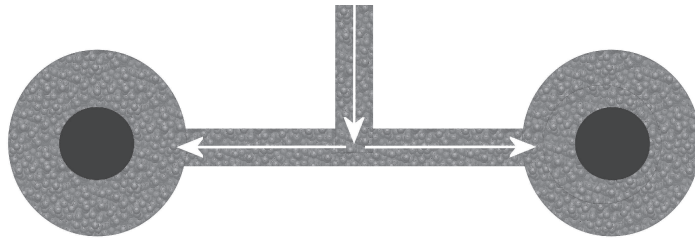


Figure 4. Gas needs no “circuit”.

Gas pressure allows more-way gas flows without circle structure.

According to physics, pressure is a form of manifestation of force. Saying this, the thought force may have pressure too. And really, the force of thought is able to create pressure that work the same way like any pressure e.g. like gas pressure.

In Fig. 3 the pressure of thought force changes the proper internal structure of the special electric wire, which forwards this effect to both properly designed electric circuits. The pressure i.e. the force of thought creates a gas-pipeline-like electric circuit, where direct current flows in two different directions.

A DC gas-pipeline-like electric circuit is a new and unorthodox principle. It cannot be predicted from our school knowledge.

References

- ¹ Szalay Bela. Fizika. Műszaki Könyvkiadó Budapest 1963.
- ² Grau, Carles, Romuald Ginhoux, Alejandro Riera, Thanh Lam Nguyen, Hubert Chauvat, Michel Berg, Julià L. Amengual, Alvaro Pascual-Leone, Giulio Ruffini, Mikhail A. Lebedev, C. Grau. "Conscious Brain-to-Brain Communication in Humans Using Non-Invasive Technologies." *PLoS One*. 2014; 9(8): e105225): (accessed Aug 19, 2014). <https://www.ncbi.nlm.nih.gov/pmc/articles/PMC4138179/> 2014.
- ² "What is Psyleron?" Psyleron.com. <http://www.psyleron.com/> 2009.
- ³ "REG Experiments: Equipment and design." Princeton.edu. <http://noosphere.princeton.edu/rdnelson/reg.html>, <http://www.princeton.edu/~pear/> 2010.
- ⁴ "Research Summary." Psyleron.com. <http://www.psyleron.com/researchSummary.html> 2009.
- ⁵ Lajtner Tamas. Thought is Force Amazon.com 2019.
- ⁶ Lajtner Tamás. 19 false axioms of physics. 2021.
- ⁷ Tipler Paul A. Physics. New York Worth Pub. p 803. 1976.
- ⁸ Gurevich Vladimir. Electric Relays: Principles and Applications. Israel Electric Corporation 2016 DOI: 10.1201/9781315221168
- ⁹ Tesla Nikola. On Light and Other High Frequency Phenomena. Franklin Institute, Philadelphia, 1893.
- ¹⁰ Halliday David, Resnick Robert, Walker Jearl. Fundamentals of Physics: Extended, 2018.