

Apparent Violation of the Second Law, Around Black Hole Nuclei and Other Quantum Knots.

Leo Vuyk,
Architect,
the Netherlands.

Abstract,

Quantum FFF (Function Follows Form) theory is a Rigid String Theory which states, that there are no singular string based repulsion forces or attraction forces. Attraction forces should be the result of the dual effect of two opposing photon pulses on a stringy Fermion. As a consequence, only the result of two opposing photons impinging on Fermions has to count as a quantum force and the so called “Feynman diagrams” should be adapted.

In Q-FFF Theory, the vacuum is seeded with fast oscillating massless Axion/Higgs particles, oscillating along a complex chiral tetrahedral vacuum lattice, which has the ability to transfer Photon and Graviton information in wavelength bunches of oscillations, through the vacuum lattice with the local (mass related) speed of light and the origin of the so called Dark Energy observed e.g. in the Casimir effect.

At the same time, only the sum of the different kinds of vacuum impulses with the local vacuum oscillation spectrum coming from all directions on Fermions are responsible for all energetic phenomena in the universe.

So, we may call this force a fifth force as it opposes and interacts or compensates all Photon/Gluon pressure effects on fermions in the universe.

The gravity around Black Holes is assumed to be based only on the zero point oscillation spectrum from outside the black hole without the opposing repulsive gravitons coming out of the black hole.

Black holes don't emit gravitons, consequently they are massless and harbor a nucleus of massless Axion/Higgs based Quantum vacuum knots only able to absorb the incoming oscillating vacuum particles and polarize the surrounding vacuum structure.

The polarization of the local vacuum is also origin of the black hole repulsion horizon of all propeller shaped Fermions at a certain distance from the nucleus and even the creation of fermions and baryons (plasma) out of the local vacuum.

Reason to accept that the vacuum energy around dark matter black holes (fifth force) combined with the propeller shape of fermions, is the origin of **apparent violation of the second law**, (entropy decrease) observed on earth and in space.

Examples are: plasma tails of Ball lightning and (micro) Comets and Proplyds.

Introduction.

New physics of Quantum FFF Theory as a rigid string theory, is suggested to be a base for Quantum based monopole radiation fields like graviton-, Gamma/Xray-, electric- and magnetic monopole fields.

All Star-Planet systems are supposed to be stabilized by at least two polar local stellar anchor black holes (also dark matter) .

Interpreted as Herbig Haro systems, these black holes polarize the Axion/Higgs field vacuum around the sun with butterfly shaped fifth force vector bubbles around test masses.

As a consequence, Emerging gravity effects called “dipole repeller gravity”, between galaxies and Galaxy clusters seem a support for the fifth force vacuum pressure gravity postulate.

Secondly, the apparent violation of the second law of thermodynamics around both types of black holes (SNova and Interference BHs) is a combined effect between the vacuum polarization and polarized spinning propeller shaped fermions.

This Ball Lightning photo is an important piece of the new physics of Quantum FFF theory.

It shows a self produced vapor trail washed out by the opposing wind of the massless BL nucleus, which seem to be pushed against the wind. Just as observed in multiple single- and pairing Black Hole examples in nebula like the Carina.

Ball lightning pushed by Plasma tail against the wind



Vapour trail washed out by the wind

Other examples of BLs with plasma tails



Figure 1, Apparent violation of the second law around ball lightning with plasma tail propulsion.

Examples of Splitting Black Holes in the Carina Nebula.



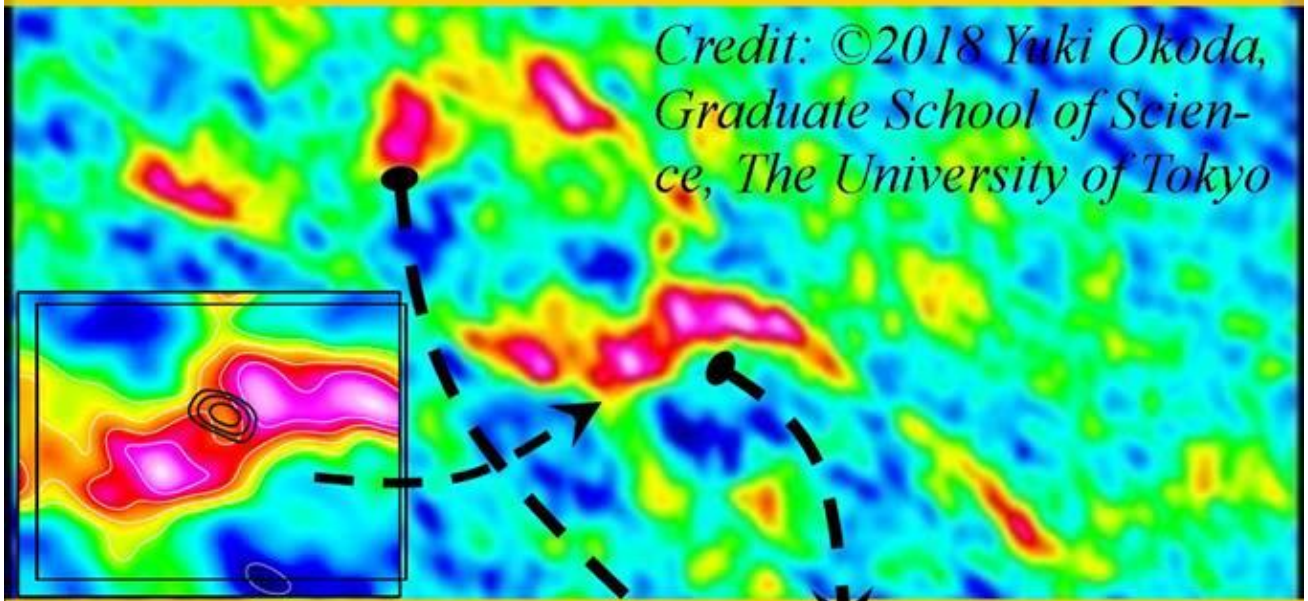
Below: two by plasma trailing tails accelerated micro black holes (Former star spots) showing a temporary meeting place to split and form a Herbig Haro system with newborn star in between..



Figure 2, Example of pairing and splitting black holes to form Herbig Haro systems in Carina nebula.

Triple Hotspot Starformation.

According to Quantum FFF Stars are born inside New Physics Herbig Haro (HH) systems between two pairing new physics Black Holes, always mistakenly interpreted as so called Bows-hock Hotspots of both stellar jets. However I assume that these BHs are former Starspots created by Supernova explosions



Credit: ©2018 Yuki Okoda, Graduate School of Science, The University of Tokyo

Herbig Haro Hotspots are assumed to be former Starspot black holes created by (Super) nova explosions.

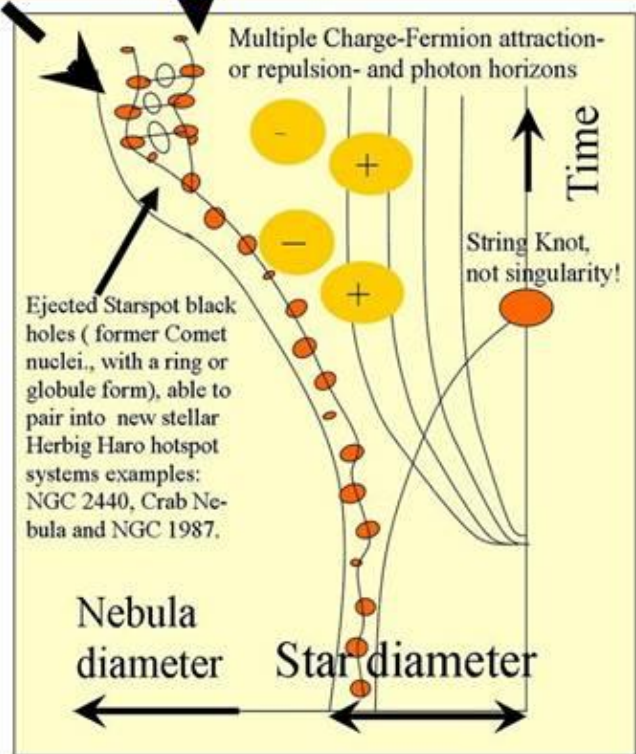
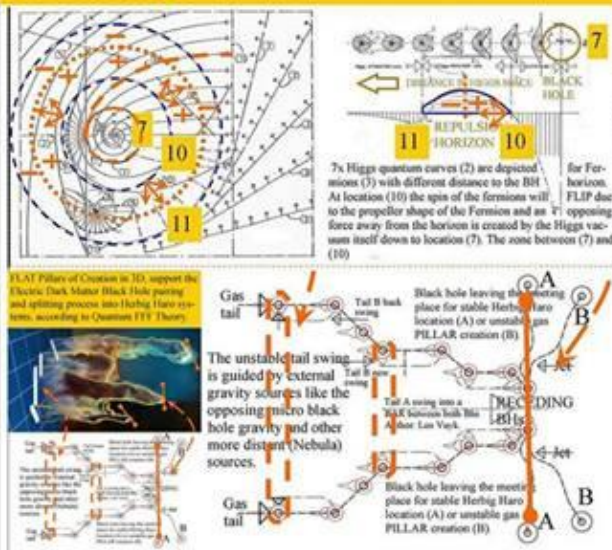
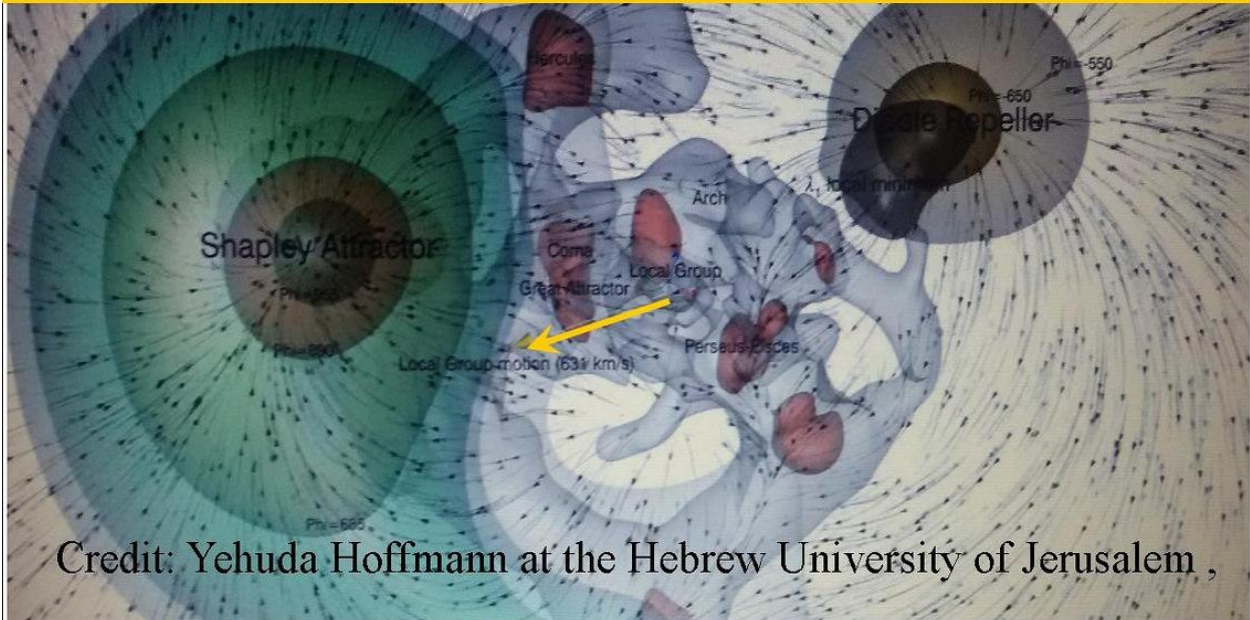


Figure 3, Triple hotspot star formation in Herbig Haro systems out off ejected former starspot Black holes inside a Super Nova based nebula..

Quantum Dipole Repeller Gravity pushing our Galaxy.

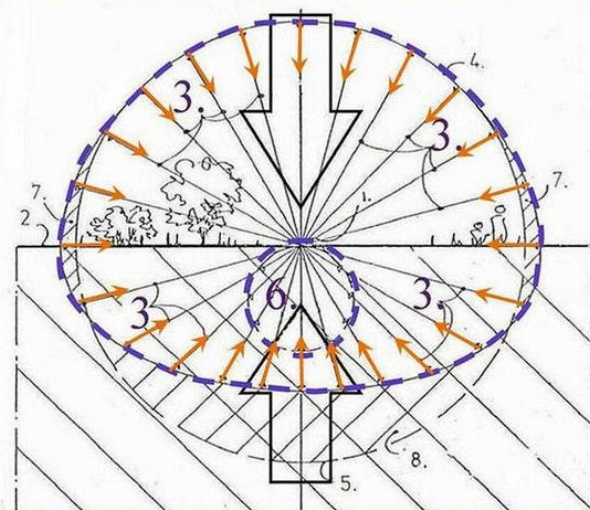
According to Quantum FFF Theory, empty space is filled with a fast oscillating lattice of massless Axion-Higgs field particles as a half base for our opposing dipole pressure Higgs-graviton gravity on earth. Now prof. Yehuda Hoffman shows us a support for this hypothesis.



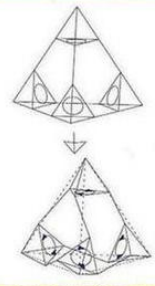
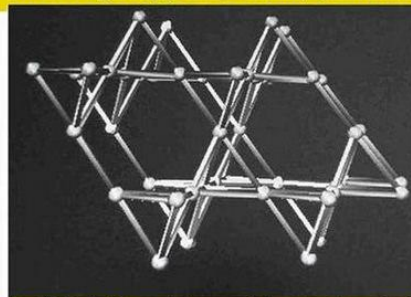
Credit: Yehuda Hoffmann at the Hebrew University of Jerusalem ,

Quantum Gravity as pressure distribution of the oscillating dual Higgs/Graviton vector field.

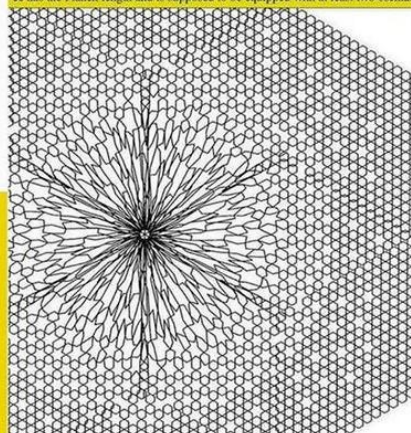
New Dark Matter Black Hole, "Eat" the chiral oscillating Higgs vacuum.(Quantum-FFF Theory)



Cross section through the dual Higgs/ Graviton 3D vector field pressure distribution (or globular Hedgehog) on a point mass (1) located on earth's surface (2), according to Quantum FFF theory. 3+4= Higgs vector field. 6= Graviton vector field originated by the Higgs-graviton field transformation of the earth itself. 7+8= differences with a perfect globular vector distribution. Field variables 3+6 are rendered as inversed arrows. (see also black hole pressure distribution without gravitons)



Simplified tetrahedral vacuum lattice structure (left), constructed by complex chiral tetrahedral building blocks (right). Each universe has to choose between a left- or righthanded rotation of its tetrahedral building blocks. Each chiral lattice has the Planck length and is supposed to be equipped with at least two oscillating massless new Higgs particles.



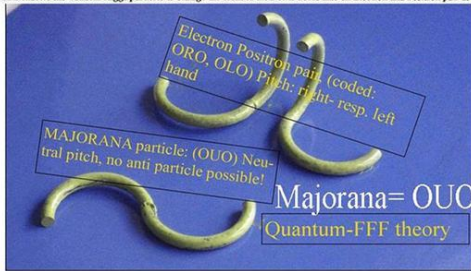
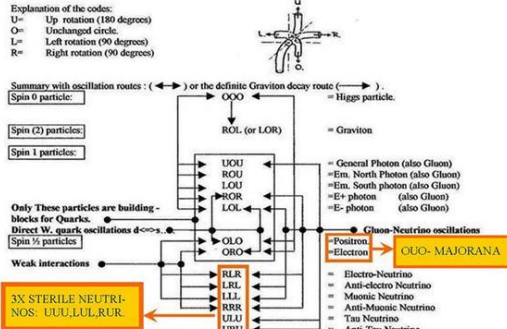
Black holes EAT the vacuum lattice with the oscillating Higgs particles. So, the vacuum lattice structure around a black hole could be represented like this. As a result, the near vacuum is thinner or diluted, it has holes, which could be the origin of the Universal HUBBLE redshift. By contrast, my new black hole paradigm says: the origin of universal redshift is Dark matter. Dark matter is the proliferation of vast numbers of Black holes around Galaxies. Conclusion, based on Hubble redshift, we don't know anything about expansion or contraction of the universe. (Author Leo Vuyk)

Figure 4, Vacuum based Fifth force "Dipole repeller gravity" according to Yehuda Hoffmann and the relation with Electric Dark matter Black Hole gravity of Quantum FFF Theory..

Sterile Neutrinos and Majoranas seem to have different origins according to the 3x hinged rigid string system of Quantum Function Follows Form model.

MAJORANA particle's placed in the new extended standard model based on Q-FFF Theory. OOU is e-e+ related, UUU, LUL,RUR are Neutrino related. Called sterile Neutrinos.

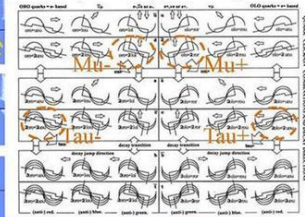
The coding of Single Elementary Particles is based on the so called "rotational click positions" of the three hinges, which are assumed to be regularly placed over the ring shaped Higgs "Quantum Tons Particle" (page 2). This ring has one splitting point and three hinges which have consequently four 90 degree click positions each. The best Tons ring diameter ratio to click-on is about 1/7. The ring coding of the hinges positions is as follows.



Geometrical proposal for most particles building the universe



Geometrical proposal for the sub-quantum structure of 6 Leptons and Quarks interpreted as compound Photon/Electron Positron propeller combinations. Muon- and Tau particles seem to show up as family members of the Down respectively Charm Quarks. According to Quantum FFF Theory. (Function Follows Form in particle physics)



All Photons (1x, graviton, 2x electr.- 2x magnetic- and 1x general (x-gamma-ray) photon) and two Fermions (Electron + Positron) are formed direct out of the "Mother" ring shaped Higgs particle, by internal hinge rotation (below). Dark Matter particles are supposed to be formed by interlocking 3 or 4 photons (below). Neutrinos are deformed photons or fermions. (not shown) See Quantum FFF Theory. (Function Follows Form) <http://vixra.org/abs/1103.0002>



↓ 3D base for 3x hinged rigid strings.



OOO,-ROL-UOU,ROU,LOU,ROR,LOL,-OLO,ORO-RUR,LRL,LLL,RRR,ULU,URU.

Figure 5, 3-Dimensional String Based Alternative Particle Model.

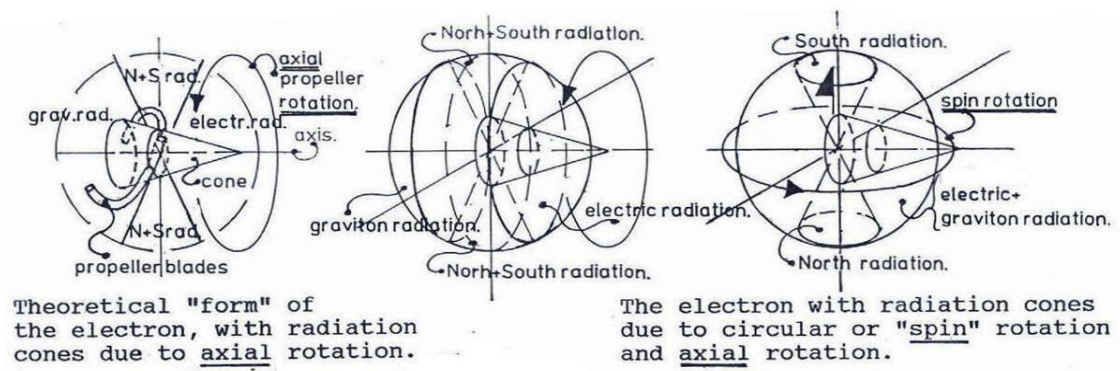
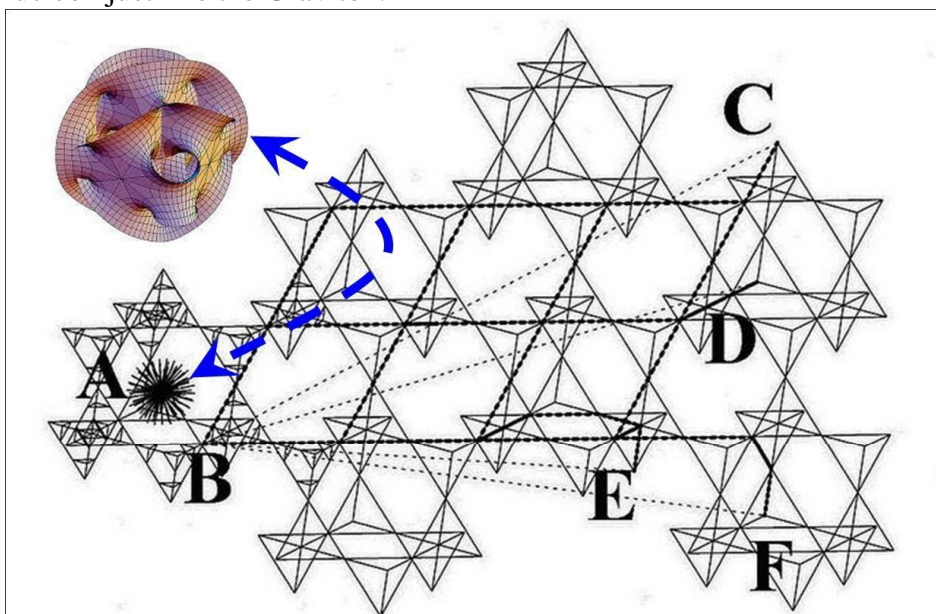


Figure 6, Double axial spin of Fermions with monopole Gluon- Graviton radiation cones. Inside a nucleon, after a short distance the 5 different string shaped Gluons (2x Electric, 2x Magnetic and one General photon) are able to exchange and merge with Fermions into compound Quarks, or after about 1 cm, become part of a photonic quantum wave, outside the nucleon just like the Graviton.

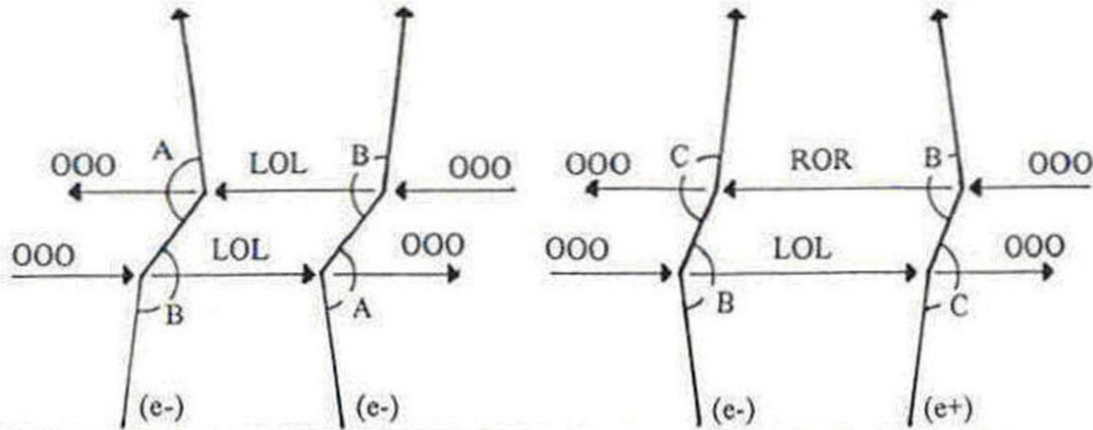


Photon trajectories through the tetrahedral oscillating Higgs vacuum lattice. (Acc. to Quantum FFF Theory)

- A: a real shaped Photon is created by Higgs collision with a dual axis spinning (Calabi Yau) Fermion propeller.
- B: that Photon transfers CODED form information (monopole photon info) and direction information into one Higgs particle which transfers this information by mutual Higgs collisionary oscillations through the vacuum in one specific direction. C,D,E,or F.
- I: Only magnetic photonic information (2x : North and South) are subject to curvature by an undisturbed symmetric oscillating vacuum
- II: Local Anti-Symmetric Oscillating vacuum Frames are influenced by massive objects like the earth and responsible for semi relativistic effects.
- III The vacuum lattice has helix- or chiral quality being the origin of our material universe.

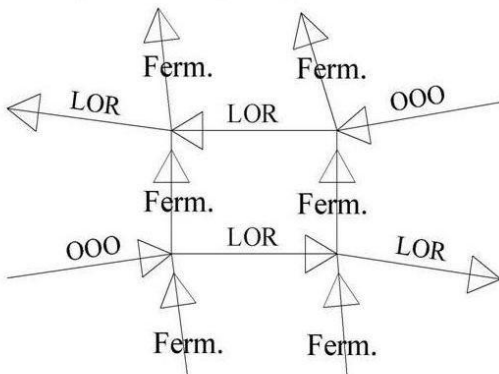
Figure 7, Photon (bunch shaped) trajectories, through the Higgs vacuum lattice.

Alternative Feynman diagrams with additional ZPE vacuum Higgs impulses, combined with electric and magnetic monopole photon impulses, according to Quantum FFF Theory



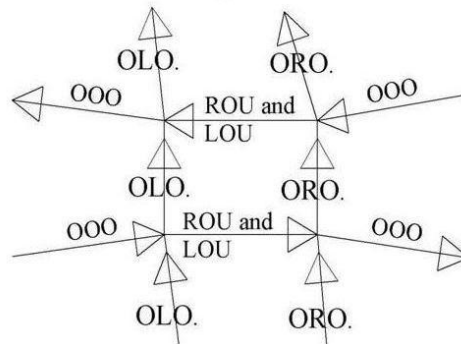
Higgs (OOO), Neg. Photon (LOL) Pos. Photon (ROR) all change form after collision with Fermions

Higgs impulse diagram for Double LeSage Gravity, according to Quantum FFF theory.



Fermionic impulse differences with Higgs (OOO) and pushing Gravitons (LOR).
OOO changes form after collision into LOR.
Gravitons don't change shape after collision.

Higgs Impulse diagram for MAGNETIC monopole radiation, according to Quantum FFF theory.

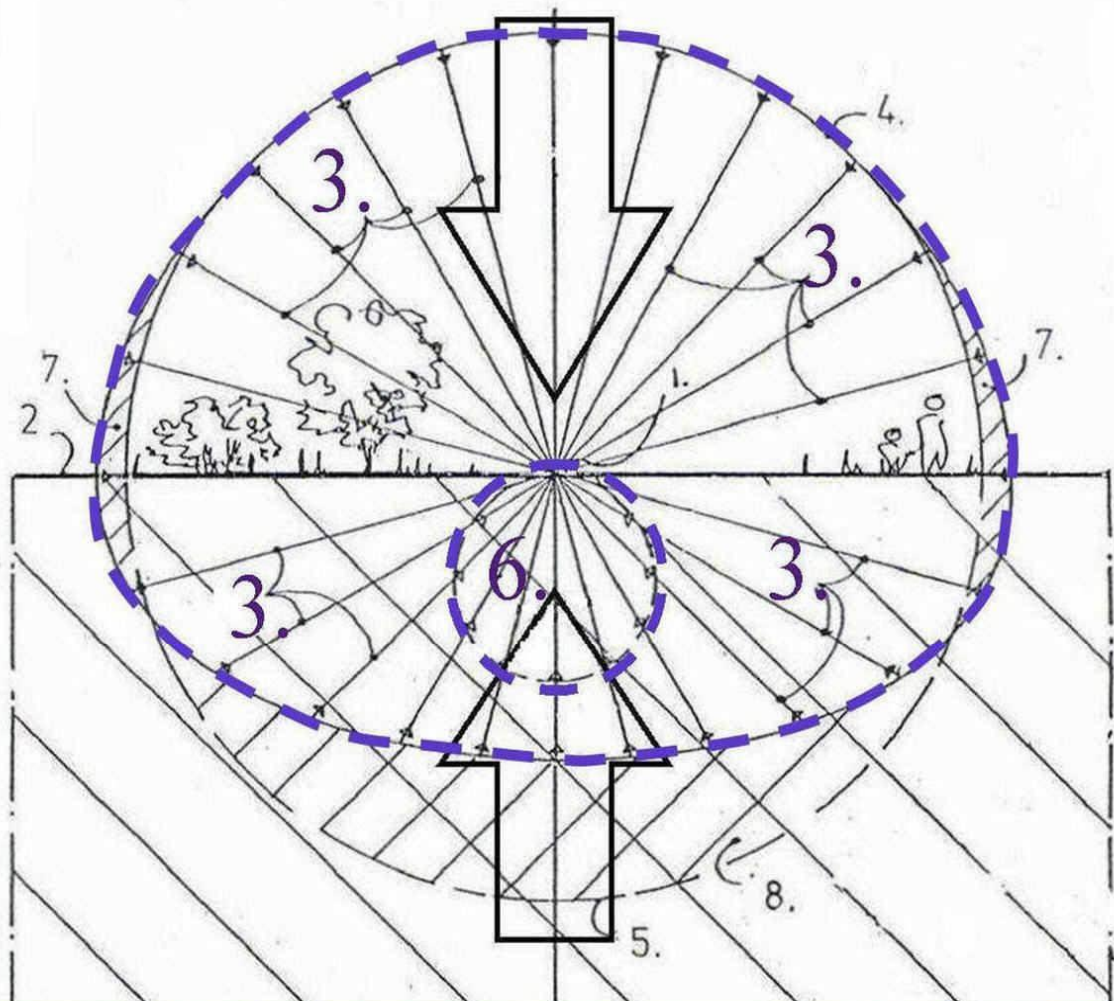


Fermionic impulse differences between Higgs (OOO) and TWO Magnetic monopole photons (LOU and ROU) on Fermions (OLO and ORO).
OOO changes form after collision with OLO resp ORO into ROU and LOU and after second collision back again into OOO.

Quantum Gravity (left) and Magnetic forces (right). Vacuum Higgs Chirality and particle geometry and spin plays an important role

Figure 8, Vacuum Axion/Higgs field (OOO) fifth force in action opposing all other gluons/Photons.

Quantum Gravity as pressure distribution of the oscillating dual Higgs/Graviton vector field.



Cross section through the dual Higgs/ Graviton 3D vector field pressure distribution (or globular Hedgehog) on a point mass (1) located on earth's surface (2), according to Quantum FFF theory. $3+4=$ Higgs vector field. $6=$ Graviton vector field originated by the Higgs-graviton field transformation of the earth itself. $7+8=$ differences with a perfect globular vector distribution. Field variables $3+6$ are rendered as inversed arrows. (see also black hole pressure distribution without gravitons)

Figure 9, Cross section of the “**Double Vector Hedgehog**” of pushing forces around Fermions. The difference between Higgs vacuum pressure (3) and less effective Graviton pressure (6) on Fermions are the basic elements of Double Le Sage gravity.

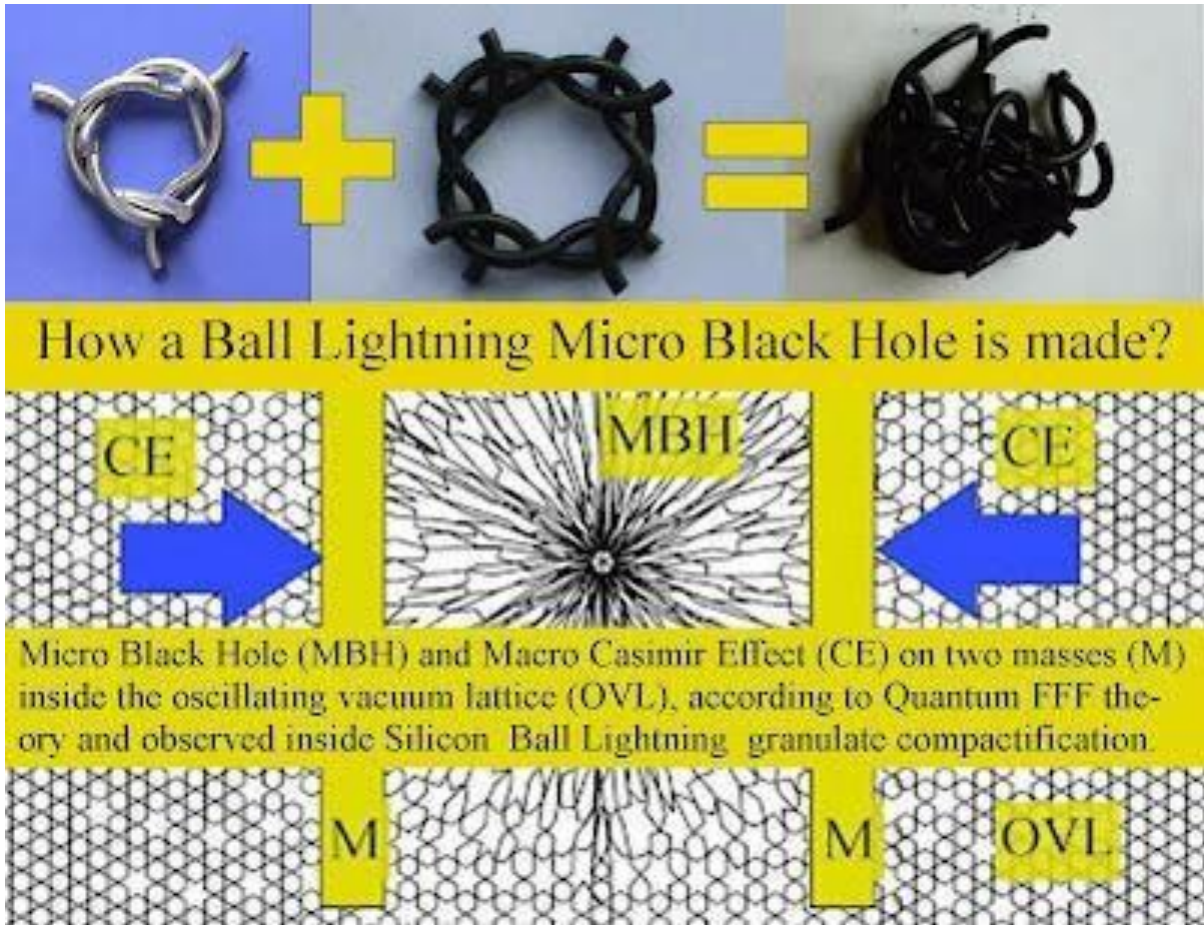


Figure: 10, Single repulsive gravity around a black hole represented by the vacuum oscillation spectrum or Oscillating Vacuum Lattice OLV around a black hole. Above: the Quantum Knot nucleus of a simple black hole.

THE SECRET OF BALL LIGHTNING. Its production by e.m.- x-ray interference into a **KNOTTY** Nucleus, able to accelerate, decrease Entropy and produce Vapour.

The NEW Black Hole Paradigm

Hawking black hole vs NEW black hole

The standard Hawking Radiation postulate is: that all matter (NOT all energy) is drawn into the Black hole. My NEW postulate is that matter is even created (and pushed outside) at the black hole horizon by QUANTUM FLUCTUATIONS producing Electrons and Positrons.

The reason for this NEW Fermion production effect is, that it is a consequence of the concentration of head-on Higgs particle collisions just at the horizon. Some Electrons and Positrons will annihilate, but the rest will form Quarks and plasma, because the Higgs vacuum lattice is CHIRAL, and prefer to link Gluons to Positrons and form U- Quarks in favour of Electrons and Gluons, which form D-Quarks.

Thus more Electrons will stay single and form Hydrogen atom shells. However they have less mass than Quarks and feel less attraction to the Black hole nucleus, thus Electrons form also an external shell around the Black hole inner shell of Protons and some Neutrons!

Due to the propeller shape of the particles all the plasma is repelled away from the black hole! The Black hole will not evaporate!

This is the base for NEW Physics and a support for a new explanation of Cometary X-rays, Hydrogen and AMINO ACID production. Even Gas Pillar and Herbig Haro formations inside Nebula become a logic base. Author Leo Vuyk.

How is the vacuum able to release energy to overcome the opposing wind? By SPIN FLIP and the Plasma tail is always swept at the back of the BL by the wind itself!

Ball lightning pushed by Plasma tail against the wind

Vapour trail washed out by the wind

The Fermion repelling horizon

7x Higgs quantum curves (2) are depicted for Fermions (3) with different distance to the BH horizon. At location (10) the spin of the fermions will FLIP due to the propeller shape of the Fermion and an opposing force away from the horizon is created by the Higgs vacuum itself down to location (7). The zone between (7) and (10)

The creation of B.L. by E.M. Knot interference

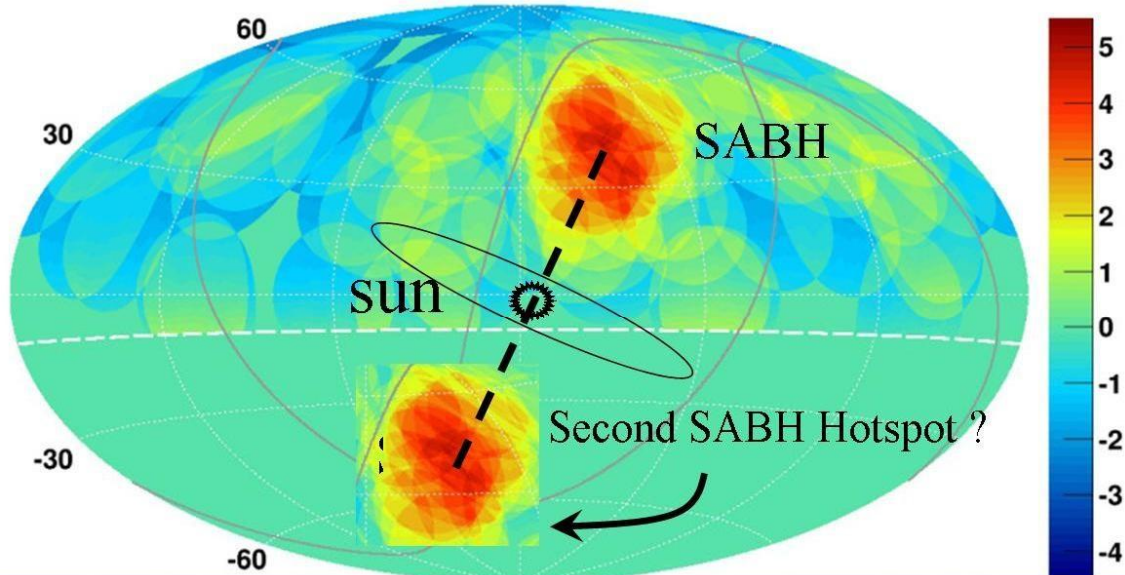
Author: Leo Vuyk 10-02-2011 NL.

Knotty Micro-Black hole nucleus

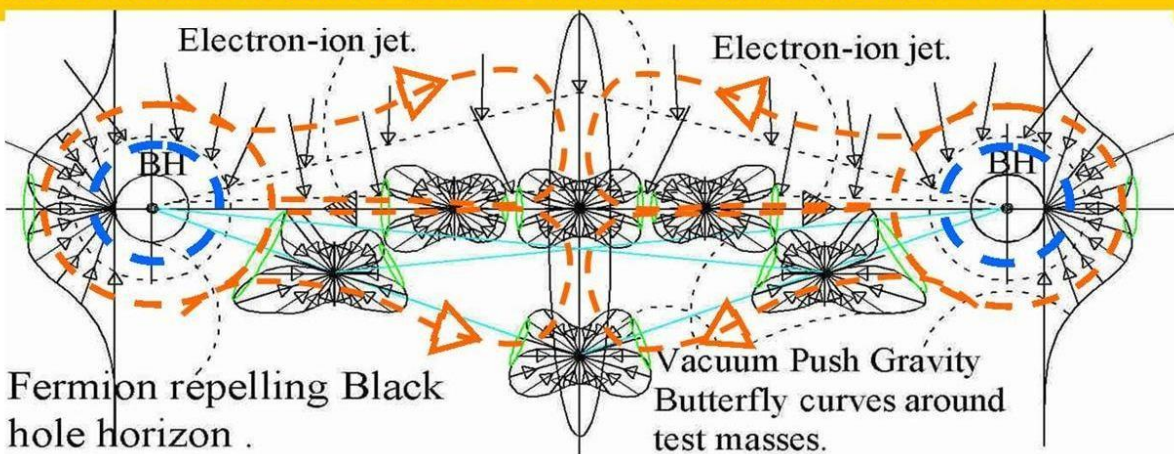
<http://bigbang-entanglement.blogspot.com/>

Figure: 11, poster showing how ball lightning should be interpreted as a micro black hole.

A hotspot for powerful cosmic rays found under the Big Dipper, by the University of Utah. The mysterious source of cosmic rays is also reason to look at the southern hemisphere to observe the opposing second Stellar Anchor Black Hole (SABH) (Cosmic ray production by NEW black hole paradigm according to Quantum-FFF Theory).



According to Quantum FFF Theory, “New Black Holes produce Proton– Electron plasma. By the strong Casimir vacuum push gravity on the BH, the “Lighter” electrons will stay outside the “heavier” proton horizon (blue). As a consequence BHs have a strong electric potential, which is liberated by asymmetric processes in dual BH systems like Herbig Haro objects showing strong electro magnetic effects in open cluster star formation and Birkeland Alfvén circuits around the earth and even in the so called BICEP 2 results.



Scheme of the electric SABH principle around the sun.

Figure: 17, The speed of gravity ONLY around the sun exceeds the speed of light and is supposed to have an instant effect.

The 3 dimensional structure of the repulsive butterfly shaped oscillating Higgs field vacuum vector bubbles is supposed to be the origin.

References:

- [112] [viXra:1807.0437](#) Preference for Dual Herbig Haro Black Hole Consumption by the Central MW Black Hole, Leaving Plasma Jets Behind.
- [111] [viXra:1806.0368](#) A Fifth Force Vacuum Dipole Repeller, Needed to Create All Attraction Forces Even Around Black Holes in Quantum FFF Theory.
- [110] [viXra:1806.0298](#) Expanding Earth, by Growing Water based Crashed Comet
- [109] [viXra:1806.0068](#) Primordial Electric Dark Matter Black Holes Outside Galaxies
- [108] [viXra:1805.0541](#) Tidal Star Disruption Events (TDE) by Fermion Repelling Black Holes in Quantum FFF Theory.
- [107] [viXra:1805.0307](#) Fulgurite Created by Lightning Bullet Also Known as Ball Lightning, According to Quantum FFF Theory.
- [106] [viXra:1804.0138](#) Dark Matter Black Hole Galaxy Hierarchy According to Quantum FFF Theory.
- [105] [viXra:1803.0100](#) Free Will Readiness Potential Ratios, the Key for a Multiverse Number Calculation.
- [104] [viXra:1803.0093](#) Skyrmion Interference Black Holes, Photonic Molecules, Ball Lightning, Micro Comets, Sprite-Fireballs and Sunspots According to Quantum FFF Theory.
- [103] [viXra:1801.0121](#) Quantum FFF Theory, a Conscious String Theory with Different Vacuum Trajectories for Axion-Higgs Field/ Photons Respectively Fermions,
- [102] [viXra:1801.0040](#) A Consciousness Theory of Everything based on Rigid Transformable Strings, Instantly Entangled Between 8 or 12 CP Symmetric Universal Bubbles.
- [101] [viXra:1712.0349](#) Tabby Star's Support for New Pysics Starspot Black Holes of Quantum FFF Theory.

[100] [viXra:1712.0122](#) The Massless Axion-Higgs Vacuum Rigid String Particle, Even in Micro and Macro Dark Matter Black Hole Nuclei.

[99] [viXra:1711.0443](#) The Semi Classical Model of Quantum FFF Theory based on Symmetric Transformable Entangled Rigid Strings.

[98] [viXra:1711.0379](#) The Raspberry Shaped Multiverse, Pulsating Between Big Crunch and Big Bang, Based on Rigid Transformable Massless Axion Higgs Particles.

[97] [viXra:1711.0327](#) The Einstein Cross Lensing Effect Explained by the Quadruple Dark Matter Formation Process of Edge-on Spiral Galaxies, According to Quantum FFF Theory.

[96] [viXra:1711.0237](#) Higgs Particle Based SIMPs for Ancient and Future (Stone) Cutting Technology.

[95] [viXra:1711.0112](#) Higgs Quantum Knots is Dark Matter is Black Holes or: Higgs Dark Matter Black Holes.

=====