

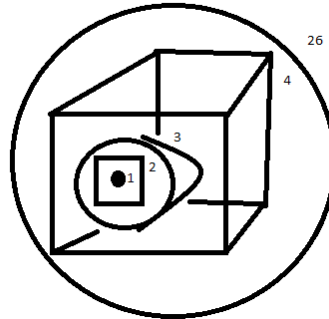
Compactification in 26 Dimensions_Matter_AntiMatter

By Ricardo.gil@sbcglobal.net

05/10/2018

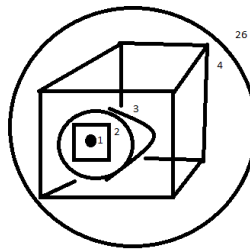
The purpose of this paper is to suggest how matter and antimatter is compactified in 26 dimensions.

I.Matter



II. Anti-Matter

1



II. Matters of Love (Dimensions)

