

Photonic Molecule based Higgs Photonic Knots of Different Masses the Origin of Future Lightsaber use?

Leo Vuyk,
Architect,
Rotterdam, the Netherlands.

Abstract,

In particle physics it is an interesting challenge to postulate that the rigid FORM and topological structure of elementary particles is the origin of different FUNCTIONS of these particles.

The resulting model is called “Quantum Function Follows Form” model.

As a consequence, the standard model could be extended with changes for an alternative Photonic Molecule based Higgs particle of different masses (recent LHC measurements) based on different geometrical structures.

At the same time there seems to open a new field of physics around quantum gravity, the planetary mass related local lightspeed drag, and a topological superconductive vacuum. In this paper I present possible 3D particle solutions based on only one complex 3-D ring shaped Axion-Higgs particle, which is equipped with three point like hinges and one splitting point, all four points divided equally over the ring surface.

The 3-D ring itself is postulated to represent the “Virgin Mother” of all other particles and is coined Axion-Higgs particle, the ring is equipped with 3-hinges coded (OOO), which gives the particle the opportunity to transform after real mechanical collision with other particles into a different shape, with a different function and interlocking abilities with other particles to form Quarks quantum knots and all other particles.

Thus in this Quantum Function Follows Form theory, the Axion-Higgs vacuum particle is interpreted as a massless singular transformer but rigid string particle able to create the universe by transforming its shape after real mechanical collision and merging with other shaped particles into complex and compound knots like quarks, W Z and Higgs particles of different masses and even ball lightning and other black hole nuclei.

If we assume that different massive Higgs particle knots are the origin of different evaporation times, then there is reason to assume that the trajectory lengths measured from the source, before evaporation are covariant, without any radiation curvature.

Reason to suggest that the idea to use such a process for “lightsaber” projects with restricted length has some logic.

Introduction.

It is assumed that the vacuum is seeded with massive numbers of massless Axion-Higgs (A-Higgs) particles, all energetic oscillating inside a chiral vacuum lattice system and as such the origin and bearer of all energy in the universe.

If by a local energy excess, two A-Higgs particles collide with enough energy, it is assumed that an electron and positron emerges by internal hinge transformation.

Due to the propeller shape of the Fermions, these Fermions are assumed to spin by a constant collision and scattering process with the Higgs vacuum, changing A-Higgs particles continuously into different forms of Photon or Gluons.

This collision scattering process is proposed to be the base for the “eigen energy” of Fermions.

Thus Fermions are constantly consuming and transforming vacuum particle energy into photons and gluons.

As a consequence, in Quantum FFF Theory photons should be the same as gluons and gluons become photons after collision with local fermions (atomic fermions) or after 1cm distance being absorbed by the local vacuum.

As a result, I suggest that many “elementary” (Quarks, Z and W) particles should not be elementary, but compound constructions or KNOTS of transformed A-Higgs particles.

Even the Muon and Tau Lepton should be compound particles having the same shape as one of the different colored “naked” Down- respectively Charm Quarks.

Thus, Muon- and Tau particles are supposed to be naked Quarks!

Recent LHC (Large Hadron Collider) results are telling us that so called di-Higgs resonances lead to a variety of Higgs masses.

In Quantum FFF Theory however the real building block of the universe should be only the Axion-Higgs vacuum particle without any mass.

Thus di Higgs resonances are supposed to be the result of compound rigid string knots, such as Z Z WW knots based on electron positron strings ore combinations of three or four photon knots or -Photonic Molecules- as the result of photonic interference. (Figure 1 and 2)

Non local realism and massless vacuum Axion-Higgs in the multiverse.

Quantum FFF Theory is based on Non-Local Realism and rigid stringy Axion-Higgs particles able to mutate into all other particles.

The CP(T)-symmetrical raspberry shaped multiverse (with 8-12 berries) is non local instant connected down to each quantum. Each quantum can be visualized as a deformed Higgs ring able to convert into other shapes and able to form compound structures like quarks, muons or even Tau leptons. So realism (cogwheels) connected by symmetric non-local instant entanglement.

The basic elements:

- 1: Black holes (BHs) are the same as Dark Matter, they all consume photons, even gravitons and the Axion-Higgs field, (for short: Higgs field) but REPEL Fermions due to their propeller shape polarization away from the BH. They produce electric charged plasma.
- 2: Dark Energy is the oscillating (Casimir) energy of the massless Axion-Higgs Field equipped with a tetrahedron lattice structure with variable Planck length around black holes..
- 3: Quantum Gravity = Dual Push gravity= Attraction (Higgs-Casimir opposing Graviton push).

[Geef tekst op]

18, Different elementary particles have different qualities by their different complex stringy shape. Leptons and Quarks have a propeller shape with left or right handed pitch creating charge difference. Gluons, Photons and Neutrino particles have no pitch.

20 All particles can be converted to one or more Higgs particles, Lepto Quarks are also compound particles with an exception for the electron and positron..

21 All particles are assumed to be present as Axion-Higgs particles already in the cyclic Big Bang Black Hole (BBBH) after the former multiverse has collapsed into a Big Crunch Black Hole.

22, We seem to live inside one material universal bubble of an instant entangled (Charge Parity Time) CPT symmetric raspberry bubble multiverse. Each quantum jump or wave function collapse or human choice is guided by this instant entanglement at long distant. If our material universes has a chiral oscillating Higgs field, then our material Right Handed DNA helix molecule could be explained.

However it also suggests that in our opposing ANTI-MATERIAL multiverse neighbour universe the DNA helix should have a LEFT HANDED spiral.

According to Max Tegmark: in an entangled multiverse we may ask: is there COPY PERSON over there, who is reading the same lines as I do?

If this COPY person is indeed living over there, then even our consciousness should be shared in a sort of DEMOCRATIC form,

Then we are not alone with our thoughts and doubts, see:

Democratic Free Will in the instant Entangled Multiverse.

Conclusion, Quantum FFF Theory is based on Non-Local Realism. The CP(T)-symmetrical raspberry shaped multiverse (with 8-12 berries) is non local instant connected down to each quantum. Each quantum can be visualized as a deformed Axion-Higgs ring able to convert into other shapes and able to form compound structures like quarks, muons or even Tau leptons. So realism (cogwheels) connected by symmetric non-local instant entanglement.
vixra.org/pdf/1401.0071v2.pdf

Historic references.

It was Abdus Salam who proposed that quarks and leptons should have a sub-quantum level structure, and that they are compound hardrock particles with a specific non-zero sized form. Jean Paul Vigièr postulated that quarks and leptons are "pushed around" by an energetic sea of vacuum particles.

David Bohm suggested in contrast with The "Copenhagen interpretation", that reality is not created by the eye of the human observer, and second: elementary particles should be "guided by a pilot wave".

John Bell argued that the motion of mass related to the surrounding vacuum reference frame, should originate real

"Lorentz-transformations", and also real relativistic measurable contraction.

Richard Feynman postulated the idea of an all pervading energetic quantum vacuum. He rejected it, because it should originate resistance for every mass in motion, relative to the reference frame of the quantum vacuum.

However, I postulate the strange and counter intuitive possibility, that this resistance for mass in motion, can be compensated, if we combine the ideas of Vigièr, Bell, Bohm and Salam, and a new dual universal Bohmian "pilot wave", which is interpreted as the EPR correlation (or Big Bang entanglement) between individual elementary anti-mirror particles, living in dual universes.

Rigid Photonic Molecules called Particle Knots or Higgs Dark Matter Black Holes, with different mass and evaporation lifetimes. According to Quantum FFF Theory.



Figure 1 Multiple combination of quantum knots. Knot 1: left: three magnetic monopole photons (125 GeV, silver) Knot 2: right: 4x x-ray photons (375 GeV, black)

[Geef tekst op]

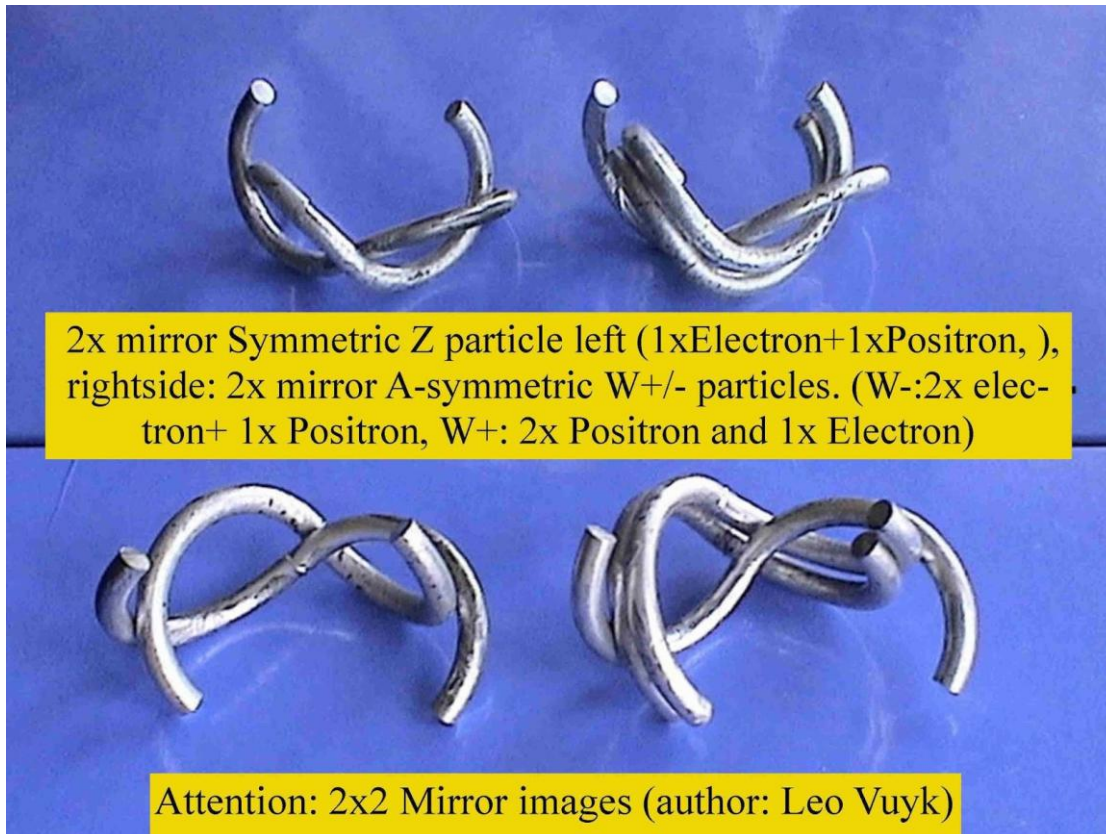


Figure 2 Geometric proposal for the Z and W particles. Z particles are symmetrical without propeller spin effects. W particles are not symmetrical with propeller spin effect left or right spin.

A combination of multiple Z particles could lead to Z-Z decay with 650 GeV as measured by the LHC.

Dual Z particles: a combination of 2x electrons and 2x positrons, according to the Quantum FFF Model.

LHC-CMS in ZZ channel. The massless transformable ring shaped Axion /Higgs vacuum particle is supposed to act as the mother of all single and compound rigid string particles fermions/neutrinos, photons etc. Massive ZZ particles are compound electron /positron interlockers, with 650 GeV in the LHC-CMS (example below)



Figure 3, the massive ZZ channel particles.

Rigid String Quantum (3 or 4x) Ring Knots, adding up to higher mass unstable micro quantum black hole nuclei.

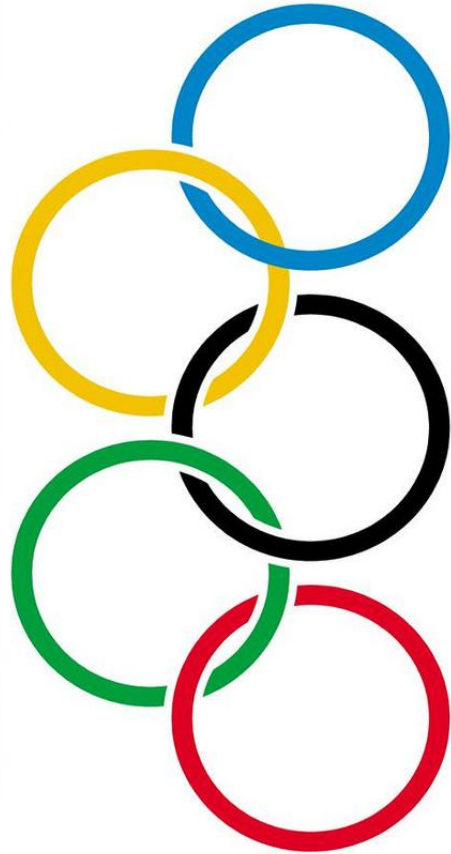
Rigid String Quantum Knot suggestions for different configuration: 125-375-500-750-1600 GeV and More called dark matter black holes. (According to Quantum FFF Theory architecture)

125GeV+375gEv=500GeV And More

500GeV

375GeV+375gEv=750GeV

2x750GeV+125=1625GeV



Some suggested ring configurations

Some other combinations



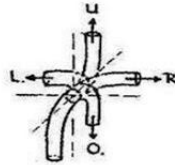
2x mirror Symmetric Z particle left (1xElectron+1xPositron,),
rightside: 2x mirror A-symmetric W+/- particles. (W-:2x electron+ 1x Positron, W+: 2x Positron and 1x Electron)

Figure 4, The geometric principle of Quantum FFFModel.

MAJORANA particle's placed in the new extended standard model based on Q-FFF Theory. OUO is e-e+ related, UUU, LUL,RUR are Neutrino related. Called sterile Neutrinos.

The coding of Single Elementary Particles is based on the so called "rotational click positions" of the three hinges, which are assumed to be regularly placed over the ring shaped Higgs "Quatron Torus Particle" (page 2). This ring has one splitting point and three hinges which have consequently four 90 degree click positions each. The best Torus ring diameter ratio to click-on is about 1/7. The ring coding of the hinge positions is as follows.

Explanation of the codes:
 U= Up rotation (180 degrees)
 O= Unchanged circle.
 L= Left rotation (90 degrees)
 R= Right rotation (90 degrees)



Summary with oscillation routes : (↔) or the definite Graviton decay route (→).
 Spin 0 particle: OOO = Higgs particle.

Spin (2) particles: ROL (or LOR) = Graviton

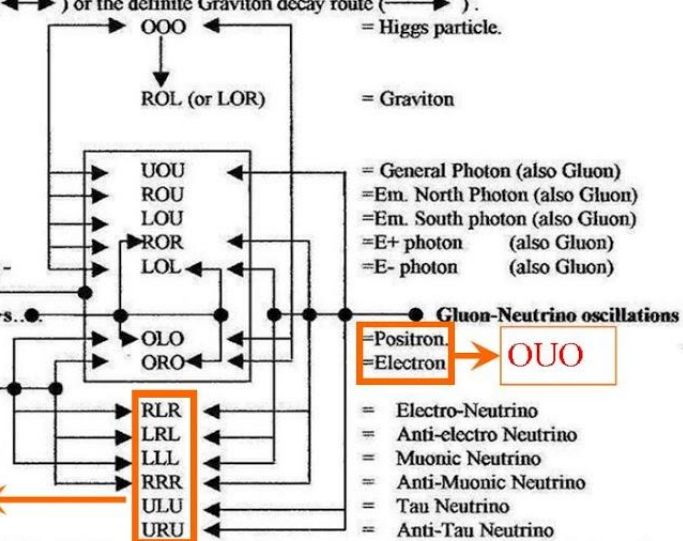
Spin 1 particles:

Only These particles are building - blocks for Quarks. Direct W. quark oscillations d ↔ s.

Spin 1/2 particles

Weak interactions

UUU, LUL, RUR



Higgs particles are supposed to oscillate in Tandem along so called linear Vacuum Lattices, two by two in opposite directions, as the symmetrical opposite pistons of a boxer engine, as the origin of all energy, spin and mass effects. This enables the Tandem Higgs particles to change the form of their own Torus into an Electron and Positron pair at



Figure 4, The geometric principle of Quantum FFFMode.

Geometry of a new Physics 3-Dimensional Particle system according to Quantum FFF Theory.

OOO= Higgs particle equipped with internal three HINGES and 79 possibilities for 90 degree rotation. (see below) due to symmetry reasons (underscored particles) only 42 different shaped particles remain. Only 15 different shaped particles are needed to construct all standard model particles according to the Quantum FFF Theory model. (See right panel)

LOO-LOL-LOU-LOR—ROL-UOL-LOL-OOL
LLO-LLL-LLU-LLR—RLL-ULL-LLL-OLL
LUO-LUL-LUU-LUR—RUL-UUL-LUL-OUL
LRO-LRL-LRU-LRR—RRL-URL-LRL-ORL

E photon: LOL ROR
 M photon: LOU ROU
 X-ray /vis photon: UOU
 Graviton; ROL (or LOR)

ROO-ROR-ROU-ROL---LOR-UOR-ROR-OOR
RLO-RLR-RLU-RLL---LLR-ULR-RLR-OLR
RUO-RUR-RUU-RUL---LUR-UUR-RUR-OUR
RRO-RRR-RRU-RRL---LRR-URR-RRR-ORR

Electron: ORO.
 Positron: OLO.
 Majorana: OOU

UOO-UOU-OOU
ULO-ULU-OLU
UOO-UUU-OUU
URO-URU-ORU

HINGE ROTATIONS

O= Ring shape
 L= Left 90 degr.
 R= Right 90 degr.
 U=Up 180 degr.

Neutrinos:
 LLL-RRR = ν E (+/-)
 LLU-RRU = ν Mu (+/-)
 ULU URU = ν Tau (+/-)

OLO-ORO-OOU. Calabi Yau rotation result.

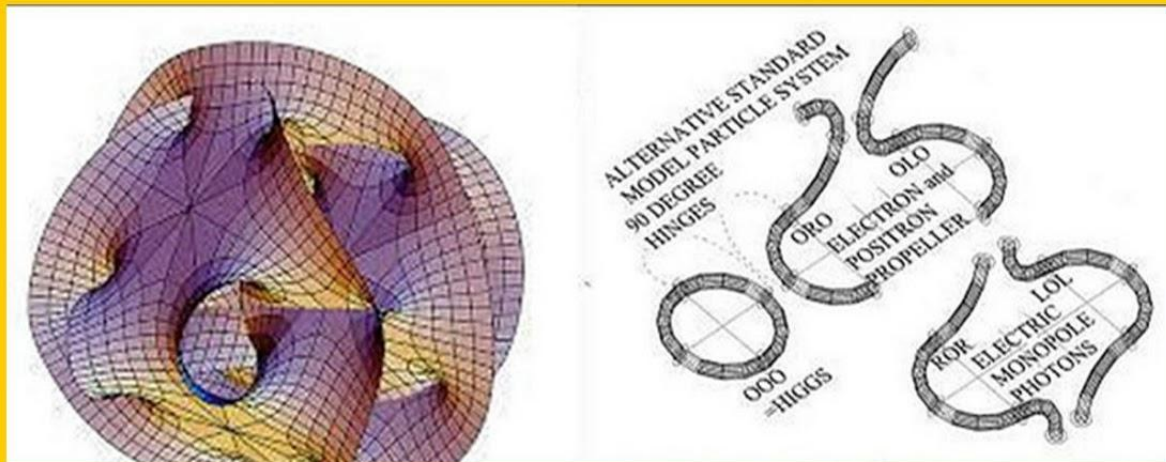


Figure 5, The principle based on 3x hinge rotations of 90 degrees.

[Geef tekst op]

If we assume that different massive Higgs particle knots are the origin of different evaporation times, then there is reason to assume that the trajectory lengths measured from the source, before evaporation are covariant, without any radiation curvature.

Reason to suggest that the idea to use such a process for the construction of “lightsabers” with restricted effective length has some logic.

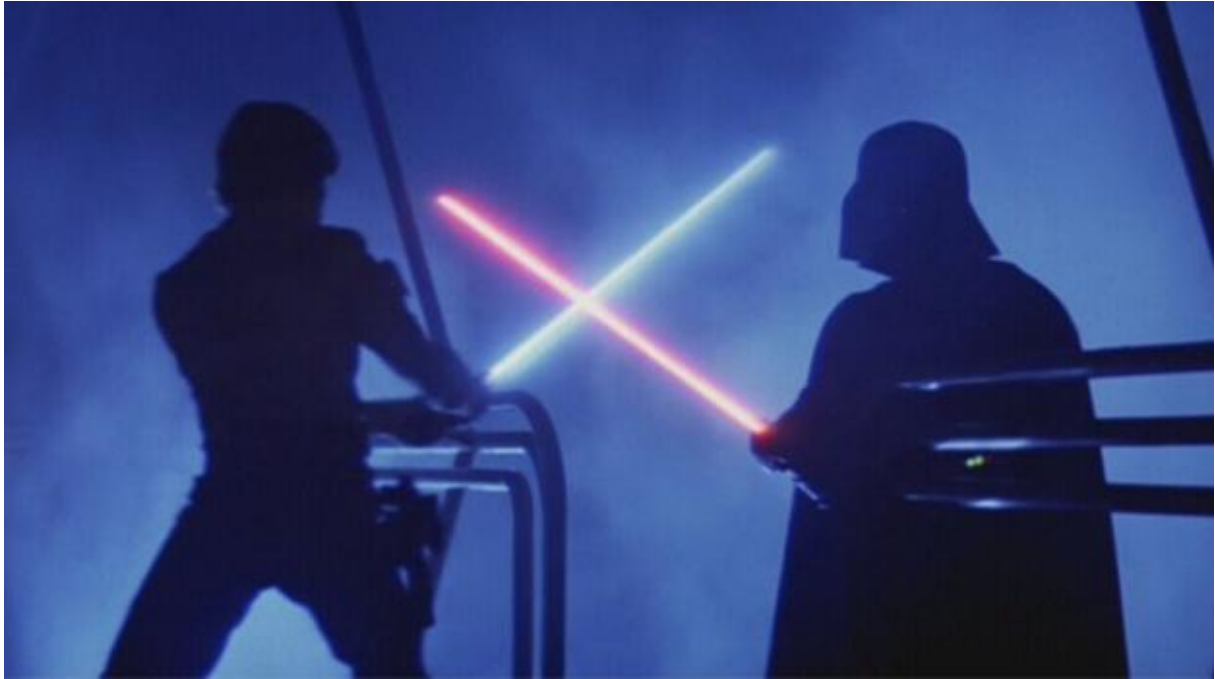


Figure 7. Lightsabers with restricted effective length has some logic according to Quantum FFF Theory.

References:

- Books: The New God Particle and Free Will. Author: Leo Vuyk, LuLu publishers, 2008. ISBN number 978-1-4092-1031-3 <http://www.lulu.com/spotlight/LeoVuyk>
Quantum FFF Theory is also published in the form of POSTERS at the Flickr site: <http://www.flickr.com/photos/93308747@N05/>
Numbered listing (latest) of Vixra essays by Leo Vuyk. http://vixra.org/author/leo_vuyk
- [91] [viXra:1708.0296](#) The Origin of “Ultra Diffuse Galaxies” in Galaxy Cluster Centers.
[90] [viXra:1708.0170](#) Action Without Reaction Symmetry for em Space Propulsion Thruster Technology.
[89] [viXra:1708.0083](#) Dipole Repeller Gravity Effects at Different Universal Scales as the Origin of Large Scale and Local Quantum Gravity and Hubble Redshift.
[88] [viXra:1707.0224](#) The Magic of the New Electric Dark Matter Black Hole on Earth and Space.
[87] [viXra:1707.0189](#) Black Hole Nuclei as a Bunch of Rigid Transformable Higgs Strings Splitting by Relative Small Companion Mergers or Decreased Vacuum Pressure.
[86] [viXra:1706.0490](#) The Origin of “Dead” Galaxies.
[85] [viXra:1706.0420](#) Mass in Motion According to Quantum FFF Theory.
[84] [viXra:1706.0413](#) Magnetic Monopole Test to Demonstrate the Existence of a Anti Maxwell Dead Zone Around a Current in a Wire.
[83] [viXra:1705.0153](#) A Different Black Hole Horizon Interpretation Leading to Entropy Reduction and Violation of the Second Law.
[82] [viXra:1705.0026](#) The Magic of Life- and Matter Creating Self Propelled Electric Dark Matter Black Holes Guided by a Holographic Entangled Symmetric Multiverse System.
[81] [viXra:1704.0272](#) Interference Black Holes, Ball Lightning, Micro Comets, Sprite Fireballs and Sunspots According to Quantum FFF Theory.
[80] [viXra:1704.0150](#) The Origin of Life and the Need for a Rigid String Propeller Fermion Model Combined with a Chiral Vacuum Lattice and Micro Interference Black Holes
[79] [viXra:1704.0133](#) 2. Signals for Retarded Single Big Bang Black Hole Nucleus Splitting and Pairing into Dual Black Hole Herbig Haro Systems
[78] [viXra:1704.0047](#) Bohmian Double Slit Interpretation by Dual Entangled Universes, and the Benjamin Libet Experiment.
[77] [viXra:1704.0003](#) A Testable CP Symmetric Multiverse Model by Extended Experiments, Done by the Late Benjamin Libet in 1964.
[76] [viXra:1702.0109](#) CP Symmetry Between Material and Anti Material Copy Universes Combined with Local- and Multi-Universal Cycle Time.
[75] [viXra:1702.0040](#) The Alternative Origin of Hubble Redshift : Vacuum Absorption by black holes as a Support for Quantum Dipole Repeller Gravity and a Contracting Universe.
[74] [viXra:1701.0633](#) Local and Multi-Universal Cycle Time According to Quantum FFF Theory. (FFF= Function Follows Form)

[Geef tekst op]

- [73] viXra:1612.0365 John S. Bell Was Right: “How to Teach Special Relativity” and Atomic Pear Shaped Contraction.
- [72] viXra:1612.0026 Democratic Free Will and Telepathy in the Instant Entangled
- [71] viXra:1611.0226 Galaxy Cluster Merging and Vacuum Absorption by black holes as a Support for Quantum Dipole Repeller Gravity and a Contracting Universe.
- [70] viXra:1611.0101 Observed Dual Higgs Mass 124-126 Gev and the Chirality of the Vacuum Lattice.
- [69] viXra:1611.0031 Rigid String Cosmology with a Massless Axion-Higgs Oscillating Photon Vacuum Lattice and Massive Quantum Knots.
- [68] viXra:1611.0005 Electric Dark Matter Black Holes in the Moon (Orientale Basin)
- [67] viXra:1609.0407 New Physics Elements in the Quantum Function Follows Form Model.
- [66] viXra:1608.0329 God Seems to Play Dice with Dual Entangled Pinball Machines in a Super symmetric (Susy) Multiverse
- [65] viXra:1607.0376 Axion-Higgs 3-Dimensional Rigid Transformable Strings and the Compound 650 GeV Z-Z Decay into Quarks/Lepto quarks.
- [64] viXra:1605.0257 Reaction Less Drive by Anti Maxwell Dead Zone Around a Wire.
- [63] viXra:1604.0372 Herbig Haro Hotspots or Bow shocks Are the Origin of Star Formation, not the Result as the Mainstream Suggest.
- [62] viXra:1604.0229 Er=epr in the Super symmetric Cyclic Multiverse and in the Lab Without Strange Cats.
- [59] viXra:1505.0101 The Origin of Bok Globules and Molecular Clouds, Splitting and Pairing Electric Dark Matter Black Holes.
- [58] viXra:1503.0186 Primordial Dark Matter Black Holes Outside Galaxies Responsible for the Creation and Contraction of a Cyclic Universe? 22
- [57] viXra:1503.0097 Quantum FFF Theory, Poster News 4.2
- [56] viXra:1502.0086 Parity and Chirality as a Base for Quark-Gluon Plasma and Dust Creating Black Holes and the Beginning and End of Time..
- [55] viXra:1411.0039 Quantum FFF Theory, Poster News 2
- [54] viXra:1410.0039 Evidence for Dark Matter Black Hole Based Plasma, Dust and Ice Production Inside Comets Like 67P,C-G. and the Growing Earth.
- [53] viXra:1409.0164 The O’Connell Effect in Eclipsing Binaries Explained by Mass Related Light Speed Extinction Distances (Lasof) of Stars and Even Planets.
- [52] viXra:1407.0001 Evidence for Evaporating Dark Matter Particles in Silicon Fireballs.
- [51] viXra:1406.0076 Galaxy Formation and Evolution According to Quantum FFF Theory.
- [50] viXra:1406.0019 Quantum FFF Theory Proposals for Some Unsolved Physics Problems.
- [49] viXra:1405.0224 Dual Star Ejection in Open Star Clusters by the Central Star.
- [48] viXra:1404.0151 Future Free Energy of New Physics Ball Lightning Black Holes, the Origin of a Super Social Society or the Opposite?
- [47] viXra:1404.0002 Proposal for the Origin of Unexpected Large B-Modes Found in the Bicep2 Measurements.
- [46] viXra:1402.0132 Reconciliation of GR and QM by a New Gravity-Black Hole and Lightspeed Model Called Quantum- FFF Theory.
- [45] viXra:1402.0044 The Impossible Zero Point Electric Black Hole as the Origin of New Physics even for Comets like 67P,C-G.
- [44] viXra:1401.0115 Calabi Yau Shaped Double Fermion Spin States.
- [43] viXra:1401.0071 Democratic Free Will in the Instant Entangled Multiverse.
- [42] viXra:1312.0143 The Navel Cord Multiverse with Raspberry Shape, a Super Symmetric Entangled 12 Fold Bubble Universe.
- [41] viXra:1312.0076 Are Sunspots Made of Gravitating Dark Matter Black Holes?

[Geef tekst op]

- [40] viXra:1310.0101 The New Nuclear Magic Number (34) Explained by the Polar Coaxial Ring System of Quantum FFF Theory.
- [39] viXra:1310.0059 The Semi Relativistic Higgs Field Aether with Mass Related Lightspeed Adaptation.
- [38] viXra:1309.0081 New Physics by Table Top Experiments.
- [37] viXra:1308.0083 23 The Raspberry Shaped Super Symmetric Multiverse
- [36] viXra:1307.0068 Quantum Function Follows Form Theory, the Small Scale, Posters part 1.
- [35] viXra:1307.0067 Quantum Function Follows Form Theory, the Large Scale, Posters part 2.
- [34] viXra:1306.0218) Dark Matter UFO Dust Particles or Quantum Knots in the LHC at CERN ?
- [33], viXra:1306.0065 The Splitting Dark Matter- Black Hole- Big Bang and the Cyclic Multiverse.
- [32], viXra:1305.0140 Quantum FFF Theory Experiments, a Summary.
- [31], viXra:1305.0041 The Shnoll Effect Explained by Quantum FFF Theory.
- [30], viXra:1304.0022 The Self Organizing Universe in the Carina Nebula.
- [29], viXra:1303.0211 Hubble Redshift Combined with Universal Contraction is Possible.
- [28], viXra:1303.0053 Micro Birkeland Currents Between Two RF Generated Plasma Balls in the Laboratory.
- [27], viXra:1302.0172 Silicon Based Ball Lightning Globule Structures and Signs for Accumulation and Retarded Decrease of Tunneling Energy Bullets.
- [26], viXra:1301.0088 Two or Three Large Quasar Groups (LQGs) Located at the Start of Two or Three Lyman Alpha Systems and a Part of the Raspberry Multiverse?
- [25], viXra:1301.0050 Dwarf Galaxies and Their Relation with Dark Matter Based Galaxy Anchor Black Holes (Gabhs).
- [24], viXra:1210.0177 Instant Broglie Bohm Pilot Waves, the Origin of All Entanglement Effects in the Lab and Wavefunction Collapses in Our Universe as Related to Our Opposing Anti-Copy Universe(s) According to Quantum FFF Theory.
- [23], viXra:1209.0092 New Dark Matter Black Holes and a New Dark Energy Higgs Field, Lead to a Bouncing CP Symmetrical Multiverse, and New Experiments.
- [22], viXra:1209.0061 Birkeland Currents, Sunspots, Comets and Ball Lightning Originated by New Paradigm Dark Matter Black Holes.
- [21], viXra:1209.0030 Majorana and Sterile Neutrino Solutions in the Quantum-FFF Model.
- [20], viXra:1208.0031 Clumpy Dark Matter Around Dwarf Galaxies a Support for an Alternative Black Hole Theory According to the Quantum Function Follows Form Model.
- [19], viXra:1202.0091 Earth Magnetic Monopole Array Field Interaction with Cyclotron – Synchrotron Electrons and Muon Conversion Used for Levitation Systems.
- [18], viXra:1201.0092 Earth Magnetic Monopole Array Field Interaction with Cyclotron Electrons used for Levitation Systems.
- [17], viXra:1112.0065 24 LHC Signals Between 121-130 Gev Interpreted with Quantum-FFF Theory
- [16], viXra:1111.0096 Reconciliation of QM and GR and the Need for a Pulsating Entangled CPT Symmetric Raspberry Shaped Multiverse.
- [15], viXra:1111.0061 Black Hole Horizon Curvature Dependent Balance Between Plasma Creation and e-e+ Annihilation in Quantum FFF Theory.
- [14], viXra:1108.0036 Artificial Ball Lightning Production and Exploitation Device for Zero Point Electric Energy Usage.
- [13], viXra:1108.0006 Mass in Motion in Quantum FFF Theory

[Geef tekst op]

- [12], viXra:1104.0083 Quantum FFF Theory in Posters.
- [11], viXra:1104.0044 Ball Lightning, Micro Comets, Sprite-Fireballs and X-Ray/gamma Flashes According to Quantum FFF Theory.
- [10], viXra:1104.0002 Stellar Anchor Black Holes as the Remnants of Former Herbig Haro Objects
- [9], viXra:1103.0097 ZPE Zero Point Energy Examples Around Black Holes.
- [8], viXra:1103.0068 Function Follows Form, at the Quantum Scale and Beyond.
- [7], viXra:1103.0024 Quantum Gravity and Electro Magnetic Forces in FFF Theory
- [6], viXra:1103.0015 Wavefunction Collapse and Human Choice-Making Inside an Entangled Mirror Symmetrical Multiverse.
- [5], viXra:1103.0011 An Alternative Black Hole, Provided with Entropy Decrease and Plasma Creation
- [4], viXra:1103.0002 3- Dimensional String Based Alternative Particles Model
- [3], viXra:1102.0056 Experiments to Determine the Mass Related Lightspeed Extinction Volume around massive objects.
- [2], viXra:1102.0054 Atomic Nuclear Geometry Based on Magic Number Logic.
- [1], viXra:1102.0052 Construction Principles for Chiral "atoms of Spacetime"

=====