

Mechanism of a spatial warp by the mass is explained by a figure.

The generation mechanism of the distortion of space by mass is described in figure.

1)

It's mysterious why does space of the mass warp even at present, and whether gravity occurs.

Understanding about gravity is elucidated by general relativity perfectly in present-day physics.

If the mass is the distortion of the space around the formed mass, gravity is understood by general principle of relativity and the gravitational equation.

The state of the distortion of the space can be explained perfectly by untiing gravitational equation.

But neither the N nor Einstein's general principle of relativity are explaining what kind of mechanism does space around the mass (place) choose the cause which warps as, and whether space warps.

A model of my hypothesis "fundamental particle pulsation principle" can explain an organization of gravity (spatial warp) occurrence by a figure.

When the mass of the fundamental particle and the star has been stationary as the present physics explains, the distortion of the space the mass forms (gravity) is a wave and is spread in space, and it's very difficult to build and explain the mechanism to go (model).

As I pulse by a model of a fundamental particle pulsation principle, the mass is changing every moment. It's changing from a mass zero into the mass of the 100% successively and moreover is changing from the mass of the 100% into a mass zero in 1 cycle of fundamental particle pulsation.

When space around at the mass of the 100% and the mass warps most and is a mass zero, a spatial warp is not.

Around the mass, this, the distortion of the space which continued (gravity) will be a ripple mark, and you can explain that the gravity wave which made the mass a source spreads through the surrounding space and goes.

Why does space warp by the mass which isn't made of general relativity for a fundamental particle pulsation principle, and how gravitational filed occurs by the distortion of the space (gravity), a mechanism is being explained.

2) 1) and the same sentence.

In modern physics, understanding of gravity is perfectly understood by the general theory of relativity.

By the general relativity and its gravitational equations, gravity is understood to be a distortion of the space around mass forming.

The state of distortion in the space is perfectly explained by solving the gravitational equation.

However, neither Newton nor Einstein's general relativity explains the cause that the space around the mass distorts, and the space is distorted by what kind of mechanism.

The model of my hypothesis "particle pulsation principle" can explain the mechanism of the generation of gravity (distortion of space) in the figure.

As the present physics explains, if the mass of the particles and stars is stationary, it is very difficult to construct and explain the mechanism (model) that the distortion of the space formed by mass (gravity) becomes a wave and extends into space.

In the model of the principle of the particle pulsation, the mass changes at a moment as the pulsation.

In the one cycle of the particle pulsation, it continuously changes from mass zero to 100% mass, and changes from 100% to mass zero.

At 100% mass, the space around the mass is the most distorted and no space distortion when mass zero.

The distortion of this continuous space around the mass (gravity) becomes a ripple, it can be explained that the gravitational wave as the source of mass propagates to the surrounding space.

The principle of particle pulsation explains the mechanism of how the gravitational field can be caused by the mass of space distortion and space distortion (gravity), which could not be done in general theory of relativity.

Hypothesis of Pulsation principle

Uniform geometry of pulsating hypothesis.
Nuclear forces Gravity Electromagnetic force

Dark Energy

In 1980
Terubumi Honjou 本荘光史 hikari368
仮説 Hypothesis
脈動原理 Pulsation principle

1	Nuclear force
2	Nuclear structure
3	Gravity
4	Empty space
5	Electromagnetic force
6	Photon
7	particle
8	Gravity
9	Repulsion
10	Energy
11	Energy air pressure
12	Nuclear
13	particle
14	Dark Energy
15	Energy air pressure

Figure) In 1980
Presented by the physical society of Japan
Dark energy was discovered in 1998.

Dark energy and dark matter exists in the 4-dimensional space. (Pulse Particle hypothesis)

Particles
Intermittently with the size.
粒子(断続的に大きさを持つ)

Pulsating
素粒子脈動
(4次元空間の質量振動)
(3次元空間の粒子明滅)

Dark matter
Acting Electromagnetic force
電磁気力が作用
光子
重力が作用(光子空乏空間)
(重力波)

Dark energy

Acting Nuclear force
核力が作用

Acting Gravity

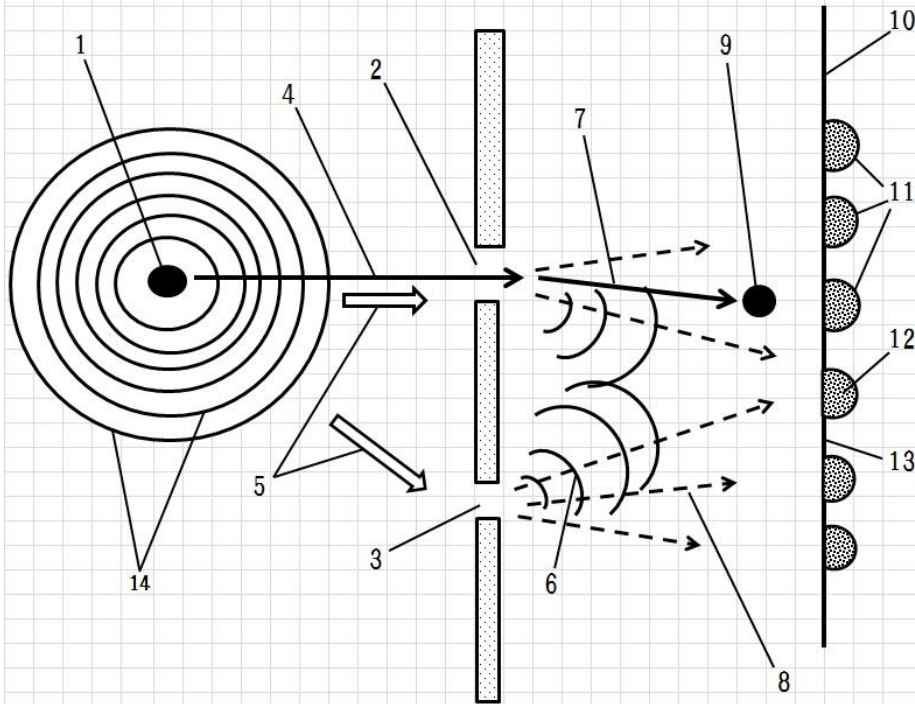
3-dimensional space
Membrane space

4-dimensional space

4-dimensional space

[Double slit experiment interpretation by gravity waves]

Elementary pulsation principle predict the particle mass flickering.
 Due to relativistic mass flickering raises the gravity waves.



1	The pulsating particles
2	Mass and flashes
3	Slit A
4	Slit B
5	Particle drift (Low speed)
6	Gravity wave approach
7	Gravity wave approach (c)
8	Career change in the interference of gravity waves.
9	Another particle path
10	particles of Before the photosensitive particles of Before the Observation
11	Photographic plate
12	Many particles to arrive
13	Many's the photoconductor
14	Not sensitive
	By mass flickering
	Gravity waves occur

A material wave of the same photon mediates between gravity and the electromagnetic power.

(Terubumi Honjou)

(The electromagnetic power and gravity are the table of a photon and back.)

Photon group of the light of the sun that arrived at the space exploration satellite pioneer triggers gravity.

I maintain a star around the Milky Way where photon group to surround the Milky Way turns by gravity.

In the wave packet of the material wave called the pilot wave, a photon and a gravity child should exist.

A photon and a gravity child are left out of velocity of light C for the different wave packet.

In the quantum mechanics, the electromagnetic willpower is told to act by the exchange of the photon.

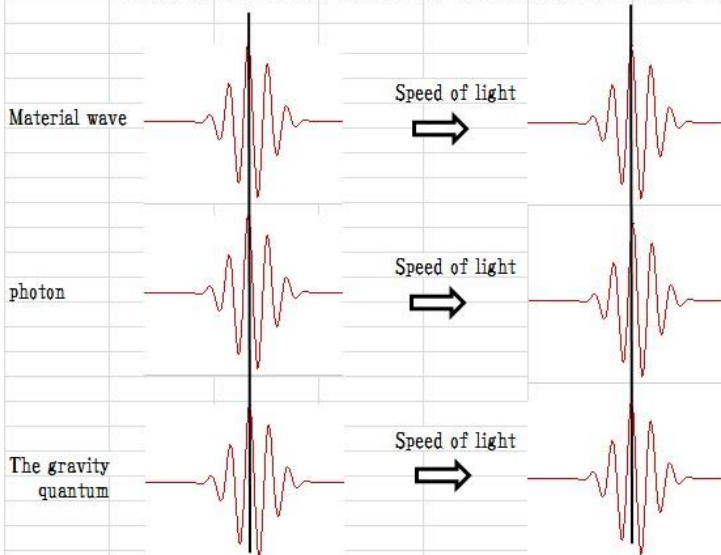
It is thought that the gravity acts by the exchange of the gravity child.

I think that gravity and electromagnetic willpower act by the same photon by the hypothesis of the elementary particle pulsation principle.

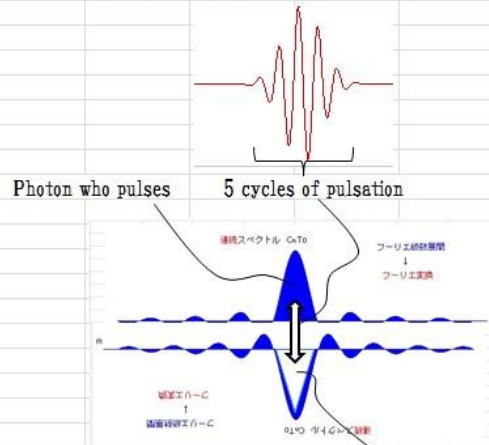
I understand that Mitsuko of the minus number particle trip is a gravity child.

The space formed by a minus number particle trip of the photon group that the outer space is full of is a distortion of the space.

I meet the general theory of relativity that assumed a distortion of the space gravity.



5 wave packets are equivalent to 5 cycles of pulsation.
 The wave packet is rotted, but the pulsation isn't rotted.



General relativity.

Existence of the mass twists space, and a spatial wrap shows gravity.

現在でもなぜ、質量によって空間が歪み、重力が発生するかは謎である。

現代物理学において、重力に関する理解は一般相対性理論によって完璧に解明されている。

一般相対性原理とその重力方程式によって、重力は質量が形成する質量周囲の空間の歪みであると理解されている。

その空間の歪みの状態は重力方程式を解くことによって完璧に説明できている。

だが、ニュートンもアインシュタインの一般相対性原理も質量周辺の空間(場)が歪む原因を、どのような仕組みによって空間が歪むのかを説明していない。

私の仮説「素粒子脈動原理」のモデルが重力(空間の歪み)発生の機構を図で説明できる。

現在の物理学が説明するごとく、素粒子や星の質量が静止したものであれば、質量が形成する空間の歪み(重力)が波となって空間に広がって行く仕組み(モデル)を構築し、説明することは非常に困難である。

素粒子脈動原理のモデルでは、脈動にともなって質量が刻々と変化している。

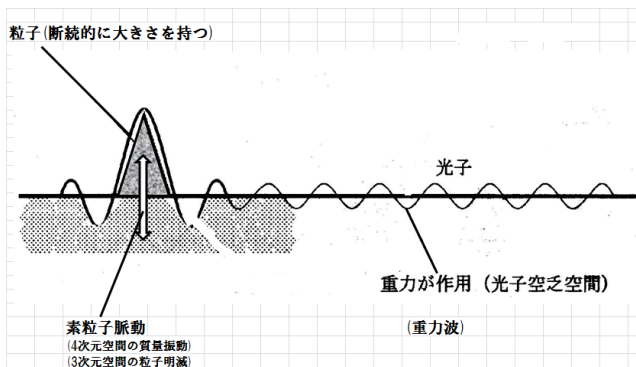
素粒子脈動 1 サイクルの中で、質量ゼロから 100%の質量へ連続的に変化し、さらに 100%の質量から質量ゼロへ変化している。

100%の質量の時、質量の周囲の空間は最も歪み、質量ゼロの時は空間の歪みは無い。

質量周辺のこの連続した空間の歪み(重力)が波紋となり、質量を発生源とした重力波が周囲の空間へ伝播して行くものと説明できる。

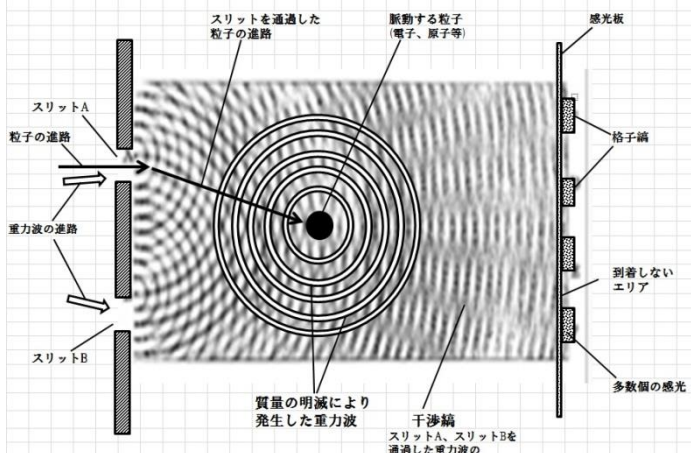
素粒子脈動原理は、一般相対性理論では出来なかった、質量によってなぜ空間が歪み、空間の歪み(重力)によってどのように重力場が発生するか、のメカニズムを説明している。

(質量の明滅(脈動)による重力波の発生)

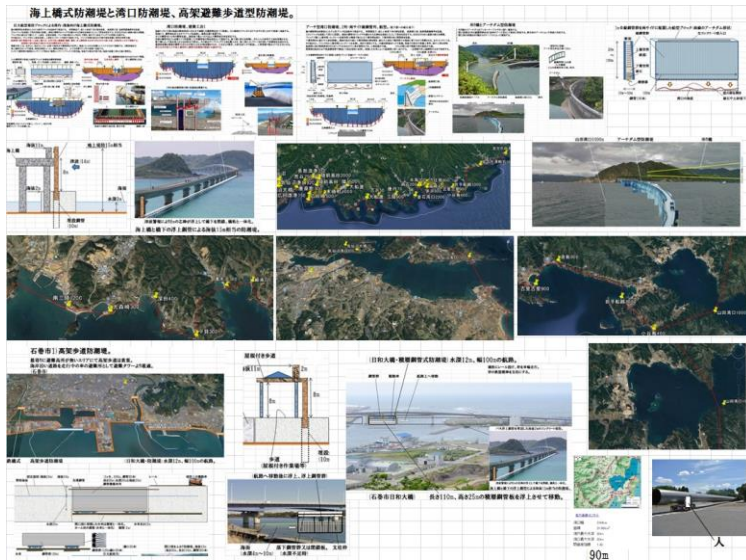


二重スリット実験の重力波解釈

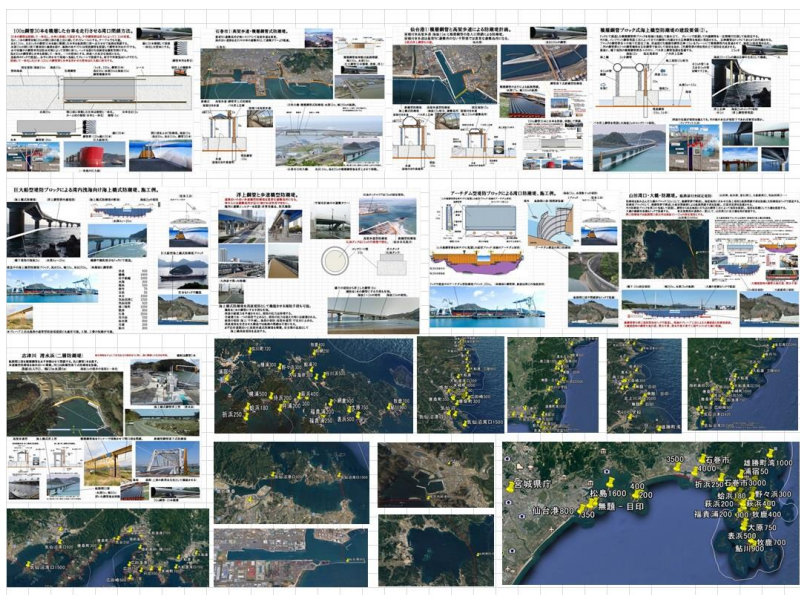
スリットを通過した粒子の脈動により発生した重力波の波紋一つ一つが、重力波の干渉縞と相互作用する。干渉縞に形成された空間の歪みの道に沿って粒子が進行し、感光板の格子縞を形成する位置に到達する。重力波の波紋の谷と他の重力波の波紋の谷とが擦ると、谷と谷とが一つになる引力(重力)が作用する。その反作用が光速で脈動する粒子に伝わる。波紋の数は膨大であり、その累積の力が粒子の進路を変更する。



No.2



No.3



No.4

