

Link between Allais effect and General Relativity's residual Arc during solar Eclipse

RUSSELL BAGDOO v2

E-mail: rbagdoo@yahoo.ca

© DEPOT SARTEC No 23449 Oct 31, 2008

ABSTRACT

The purpose of this article is to establish a relation between two gravitational anomalies: one that has attracted part of the scientific community, the Allais effect that occurs during solar eclipse; the other, noticed but forgotten by the whole scientific community, the General Relativity's residual arc of the curvature of rays of light in the solar gravitational field during the same eclipse. There is a systematically observed deflection about 10 percent larger than the theoretical value of General Relativity, which coincides with the «eclipse effect» found by Maurice Allais, thrown aside because it upsets the established truths. These corresponding anomalies were never explained by any theories and turn out to be new gravitational physics.

I. INTRODUCTION

Preliminaries:

Based on the equivalence principle, Einstein revealed a deep relation of gravity to the geometry of spacetime. General Relativity (GR) has undergone an impressive series of confirmations mostly regarding «strong» fields. But in «weak» fields where GR does not distinguish from the Newtonian limit, there are unexplained phenomena like galaxy rotation curves, the Pioneer anomaly. There is little direct evidence that conventional theories of gravity are correct on large scales. Despite all the success of Newtonian gravity and GR on the scale of the solar system, data of unique precision collected for the last two decades by satellite-based telescopes covering all frequencies and digital image processing gave a number of results where these theories run into problems. Phenomena like the increase of the UA, the flyby anomaly [1]. We emphasize the scientific aspect of peculiar movements exhibited by an anisotropic paraconical pendulum at the time of a solar eclipse in 1954.

The purpose of this article is to establish a relation between the Allais effect during this eclipse and the noticed GR's residual arc of the curvature of rays of light in the solar gravitational field during the same solar eclipse. Both gravitational anomalies were never explained by GR or by any other theories and it raises question about their nature. Our approach is as follows. In Sec. 1 we describe the gravitational deflection of light by the Sun during solar eclipses insisting on the fact that many observations gave a deflection 10 percent larger than the theoretical value during eclipse experience. Then we present the Allais effect, first reported in 1954 by Maurice Allais, which is an anomalous precession of the plane of oscillation of a paraconical pendulum during a solar eclipse. In Sec.11 we try to make a mathematical link between the unexpected turn that the pendulum took during the eclipse, changing its angle of rotation by 13.5 degrees, and the about ten percent arc's deviation observed during same eclipse experience. Although it is not the task of this paper, we also speculate on modification of Einsteinian gravitational mechanics and a discussion mentions briefly that these anomalies turn out to be new gravitational physics including «antigravity». In Sec.111, the fact that an exact agreement between theory and measurements has been obtained by radio interferometry, but has never been obtained by eclipse technique, indicates a genuine insufficiency of Einstein's theory during eclipse. In Sec.1V, we discuss two manners to experiment the behaviour of the gravity: measuring the angle and measuring the

time delay. In Sec.V, we show three possible cosmological consequences of the Allais effect linked to GR's residual arc during total solar eclipse. Conclusion in Sec.VI: the currently accepted physical theories offer no explanation for this slight departure from the known gravitational laws for both phenomena during eclipse, what can be translated into new physics.

Many observations gave a deflection 10 per cent larger than the theoretical value of General Relativity during eclipse experience:

The first test of Einstein's prediction was the apparent bending of light as it passes near a massive body. This effect was conclusively observed during the solar eclipse of May 29, 1919, when the Sun was silhouetted against the Hyades star cluster, for which the positions were well known. It was mainly made through the initiative of the British astronomer Eddington. He stationed on an island off the western coast of Africa and sent another group of British scientists to Brazil. Their measurements of several of the stars in the cluster showed that the light from these stars was indeed bent as it grazed the Sun. The result obtained by measuring the plates ($1.98'' \pm 0.12''$ and $1.61'' \pm 0.31''$) confirmed almost the exact displacement of Einstein's predictions [2].

GR predicts that locally straight lines that pass near the Sun are bent relatively to the straight lines that pass far from the Sun in completely empty space by an additional 0.875 arcsecond. Thus, the total deflection must be ~ 1.75 arcseconds. The apparent displacement of light results from the warping of space in the vicinity of the massive object through which light travels. The light never changes course, but merely follows the curvature of space. Astronomers now refer to this displacement of light as gravitational lensing. But the Sun's gravity is relatively weak compared with what's out there in the depths of space. As a dramatic example of gravitational lensing, the light from a quasar (a young, distant galaxy that emits prodigious amounts of radio energy) 8 billion light years away is bent round by the gravity of a closer galaxy that's «only» 400 million light years distant from Earth.

Although the eclipse results distinguished clearly among the possibilities of no deflection, the Newtonian deflection, and the Einsteinian deflection, their relatively large experimental errors made it important to repeat the measurements. Since that time, measurements of the deflection of the light by the Sun, although they are difficult, have been made at a number of around 400 total eclipses with only modest improvement over previous eclipse measurements. The values were anywhere between three-quarters and one and one-half times the general relativistic prediction: many observations gave a deflection 10 per cent larger than the theoretical value. The deviation between theory and measurements is too high to be only due to errors of observation [3].

Even if there is no doubt that GR is nearer the truth than the value obtained from Newtonian mechanics or any other theory so far proposed, even if radio interferometry now replaced the eclipse technique bringing an almost exact agreement between theory and measurements (which has never been obtained by eclipse technique), this deviation during eclipse indicates a genuine insufficiency of Einstein's theory.

Allais effect; an experience of great precision:

Professor Maurice Allais is a french physicist, winner of the 1988 Nobel Prize in Economics, winner of the 1959 Galabert Prize of the French Astronautical Society, and also a laureate of the United States Gravity Research Foundation due to his gravitational experiments. In the 1950s he undertook several experimental series in Paris which involved repeated

determinations of the rate of precession of a paraconical pendulum which he had invented. Suspended via a small steel ball bearing, this pendulum with anisotropic support has this peculiarity to be able to raise abruptly the oscillation plane when there is a sudden disturbance. 7 series of experiments succeeded one another: 32 days in June and July 1954; 9 in September 1954; 37 in November and December 1954; and in 1955, 7, 15, 30 and 17 days. He released his pendulum every 20 minutes-- for more security, the pendulum was stopped vertically, then re-tautened – and recorded the azimuth every minute for 14 minutes. There were thus 72 series of experiments by 24 hours without missing a data point. He detected various periodic anomalies in the motion of this pendulum by using elaborate statistical analysis. One of these experimental series happened to overlap with the eclipse of Sun of June 30th, 1954 [4, 5, 6].

During the eclipse, M. Allais put in evidence an unexpected disturbance of the effect of Foucault. At the exact onset of the eclipse, the plane of the oscillation got up abruptly of 4.5 degrees. Twenty minutes before the maximum of the eclipse, it reached 13.5 degrees to decline slowly until an abnormality of 1 degree at the end of the phenomenon. This unexpected large scale excursion in the angular plane persisted throughout the length of the eclipse, a total of 2.5 hours of observations from eclipse start on Earth's west limb to end on the east limb. Both before and after the eclipse, the pendulum experienced normal rotation, the Foucault effect, of 0.19 degrees/minute. M. Allais was not looking for any effect here [6].

He got similar results when he later repeated the experiment to a much lesser degree during a solar eclipse in October 2, 1959 (the amount of the solar surface eclipsed at Paris was only 36.8% of the surface eclipsed in 1954). Like in the first case a well-defined anomaly was detected in the motion of the paraconical pendulum: its plane of oscillation shifted abruptly. Both were partial eclipses at Paris, the point of observations. Currently accepted physical theory offers no explanation whatsoever for this phenomenon. His finding raises new questions about the nature of such phenomena.

Attempts to confirm Allais's observations upon the behavior of a pendulum during a solar eclipse have met with varied results: some experiments have confirmed the presence of anomalies, while some yielded ambiguous results, and others detected nothing unusual. However none of these trials used a paraconical pendulum according to Allais's design (hangs from a special joint that permits free rotation around the vertical and it can track the Earth's rotation); nor did the experimenters follow Allais's operational procedures or ask his advice on design of the experiments.

Most of this kind of experiments had been performed using other sorts of pendulums or with Foucault's pendulum which gives spectacular effects. Even if they are close, there are essential differences between the Foucault pendulum and the paraconical pendulum with anisotropic support. The paraconical pendulum is short, can turn on itself (capable of rolling in all directions upon a plane horizontal surface), was observed without discontinuity while Foucault pendulum is long, connected to the thread which supports it and has never been observed without discontinuity for the previous experiments. Although difficulties are inherent to a short Allais pendulum, and its movement is a complex phenomenon, difficult to analyze, as long as the pendulum oscillation remains flat, the movement in azimuth of the pendulum oscillation plane is reduced to the Foucault effect. The experiments of the paraconical pendulum with anisotropic support include totally the Foucault effect.

The deviation of the plane with regard to the plane corresponding to the Foucault effect, at most twenty minutes before the maximum of the eclipse, entailed increases of angular speeds corresponding to the fast variations of azimuth observed. In his book *Anisotropie de l' Espace*, who is dedicated to the analysis of the eclipse effect in a more general context, M Allais quotes: « we can finally notice that the fast variations of azimuth observed from 11:20 am to 12 am and from 12:20 am to 1 pm correspond to angular speeds of the order of $6,2 \times 10^{-5}$ and 7.9×10^{-5} radian per second which are respectively 1.13 and 1.43 times the Foucault effect (that is 5.5×10^{-5} radian per second in the latitude of Saint-Germain's laboratory). The strengths involved in the noticed disturbances are thus of the order of magnitude of those who intervene in the Foucault effect» [7].

We interpret as a kind of antigravity a sharp deviation of the oscillation plane of the paraconical pendulum (with anisotropic support) with an increase of its angular rotation velocity during solar total eclipse. With other sorts of pendulums (without free support) this antigravity will ordinary show itself by a change of direction of the motions from clockwise to counterclockwise, a smaller angular velocity, and a shorter period. Saxl and Allen used a torsion pendulum in 1970 which leads to the same conclusion arrived at by M Allais: classical theories of gravitation need to be modified to interpret these experimental results. Torsion pendulums work by hanging a bar that has weights at each end from a wire and as the wire twists back and forth the bar rotates in pendulum-like motion [8].

It is on the basis of this distinction, and by treating the paraconical pendulum as if it was a simple pendulum, that we will make the following simple and unorthodox mathematical link between the Allais effect (eclipse effect) observed during the 1954's total solar eclipse observed by Maurice Allais and the about ten percent arc's deviation observed during eclipse experience.

II. MATHEMATICAL TREATMENT

Gravitational acceleration during the disturbance due to the eclipse:

Let us take a simple pendulum at Paris, which can be considered to be a point mass suspended from a string or rod of negligible mass, and suppose this resonant system with a single resonant frequency is with a free anisotropic support. For small amplitudes, the period of such a pendulum can be approximated by

$$T = 2 \pi (l / g)^{1/2}, \quad (1)$$

(l : length; the acceleration of gravity at Paris (49°N) is 9.8094 m/s^2).

The time of a complete revolution of the oscillation plane around the vertical is

$$T = 2 \pi / (\omega \sin \theta) = 24 \text{ h} / (\omega \sin 49^\circ) = 31.8 \text{ h}. \quad (2)$$

As the oscillation plane got up of 13.5 degrees ($360^\circ + 13,5^\circ = 373.5^\circ$) with the eclipse, we apply the rule of three to find the time which would take the pendulum in Paris to make the complete rotation of the oscillation plane around the vertical line. If $360^\circ = 31.8$ hours, $373.5^\circ = 32.9925$ h. The time would be prolonged of $32.9925 - 31.8 = 1.1925$ h, or 71.55 mn. It would mean that, with the anomaly due to the eclipse, if $360^\circ = 31.8$ h, $373.5^\circ = 32.9935$ h. Time at Paris with the disturbance $(32.99 / 31.8) = 1.0375 T_{\text{Paris-normal}}$.

Considering that the length l of the formula (1) remains the same, the gravitational acceleration due to the eclipse will be

$$\frac{4 \Pi^2 l}{T_{\text{Paris with anomaly}}^2} = \frac{4 \Pi^2 T_{\text{Paris}}^2 g_{\text{Paris}}}{4 \Pi^2 (1.0375) T_{\text{Paris}}^2} = \frac{g_{\text{Paris}}}{1.0375} = \frac{9.8094}{1.0375} = 9.4548 \text{ m/s}^2. \quad (3)$$

We notice a decline of the gravitational acceleration (9.4548 m/s² via 9.8094 m/s²) [9]. A decrease of the gravitational acceleration is equivalent to a longer range of the radius. 9.8094 m/s² corresponds to a terrestrial radius of 6.3776 x 10⁶ m

$$R_T = (G M_T / g)^{1/2} = (G 5.98 \times 10^{24} \text{ kg} / 9.8094 \text{ m/s}^2)^{1/2}. \quad (4)$$

Let us find the terrestrial radius equivalent to a gravitational acceleration of 9.4548 m/s²:

$$R_T = (G M_T / g)^{1/2} = (G 5.98 \times 10^{24} \text{ kg} / 9.4548 \text{ m/s}^2)^{1/2} = 6.49608 \times 10^6 \text{ m}. \quad (5)$$

The radius is longer of: 6.49608 x 10⁶ m – 6.3776 x 10⁶ m = 118481 m. What supposes, during the disturbance due to the eclipse, a terrestrial radius added of 118.481 km for a gravitational acceleration of 9.4548 m/s² in 49°N (Paris).

Parallax:

The solar parallax in general is the difference in the apparent position of the Sun as seen from the Earth's centre and a point one Earth radius away, i.e., the angle subtended at the Sun by the Earth's mean radius. If the Sun is at the zenith (directly overhead) its parallax is 0. The parallax is at maximum when the Sun is seen on the horizon and it is called the horizontal parallax. Solar parallax is very important since it indicates the Sun's distance from Earth. Foucault, after making a more accurate measurement of the velocity of light, determined from the aberration of star light that the solar parallax must be about 8.8". Michelson and Newcomb, using Foucault's method, found a more accurate velocity of light, which when combined with a better aberration value, gave a solar parallax of 8.80" ± 0.01". The value of 8.80" for the average equatorial horizontal parallax was adopted at Paris in 1896 by the «*Conférence internationale des étoiles fondamentales*». Simply put, the parallax of Sun is the angle ASE under which an observer at the centre of Sun would see the terrestrial radius (Fig. 1) [10].

We will suppose that during the eclipse the centre of the Sun is the theoretical apparent position of the star. We already know the distance Sun-Earth which is 1.495 x 10¹¹ m. S is the centre of Sun and the angle ASE is the horizontal solar parallax. Because this angle is so short, we can confuse, without sensible error, the Earth radius r with the arc AE of 8.80 arcseconds (or 8.80"), which is part of a circumference with centre the centre S of Sun and for radius the length d , average distance between the two centres.

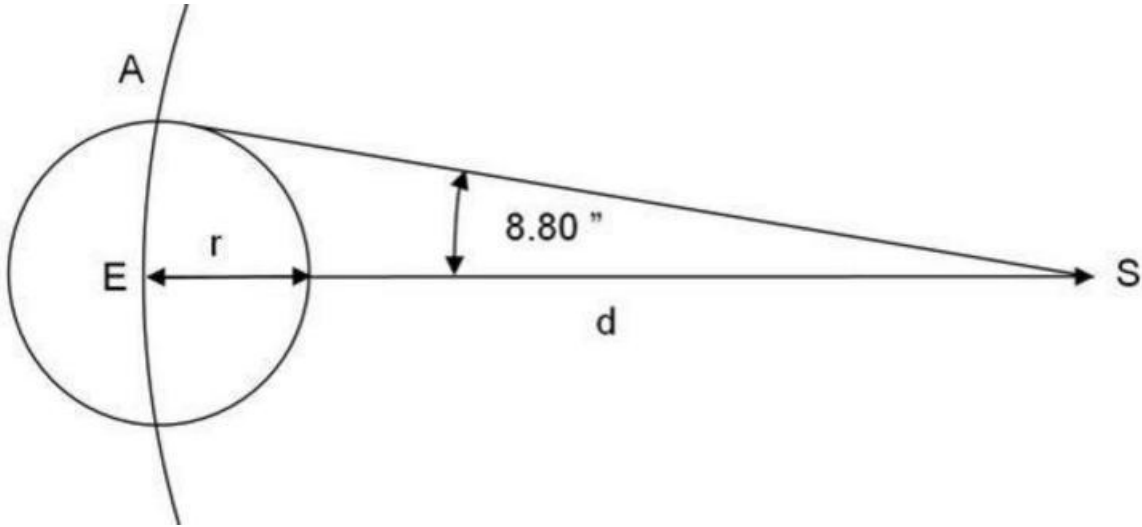


Fig. 1

The length of arc AE, compared with the entire circumference, is given by the proportion:

$$\frac{\text{Arc AE}}{2 \Pi d} = \frac{8,80''}{360^\circ} = \frac{r}{2 \Pi R_{s-t}} = \frac{6.3776 \times 10^6 \text{ m}}{2 \Pi 1.495 \times 10^{11} \text{ m}} = 6.789 \times 10^{-6} \quad (6).$$

The arc AE, or the parallax angle 8.80'', is equivalent to the Earth radius $6.376 \times 10^6 \text{ m}$, and to a gravitational acceleration of 9.8094 m/s^2 [$g = G M_t / R_t^2$]. For the gravitational acceleration of 9.4548 m/s^2 at most of the disturbance of the eclipse, corresponding to a radius being $6.49608 \times 10^6 \text{ m}$, we shall obtain the parallax angle 8.9634'' (if $6.3776 \times 10^6 \text{ m} = 8.80''$ and $6.49608 \times 10^6 \text{ m} = x$; $x = 8.9634''$). The angle would vary of 0.1634 arcsecond ($8.9634'' - 8.80''$).

If we reverse the parallax as if the Earth was the centre, and as if the radius of the Sun formed an arc length on the circumference having the distance Earth-Sun for radius, we find the same circumference with a tiny increase of the arc length (Fig. 2). If we place 0.1634 arcsecond at the point p of minimum approach of the Sun, the minimal distance of approach d , slightly superior to the radius of the Sun, would be exceeded. The point p would pass at p' , pushing away the straight line constituting the deviated trajectory of photons, so widening the angle which it makes with the not deviated trajectory of photons emitted by the distant star.

This tiny increase of the arc length from p to p' , i.e. the angle $Gp'A$, constitutes a deviation about ten percent of the theoretical value of the Relativity. We regard this as in satisfactory correspondence with the so-called residual arc, which have been tested by observations made at time of total eclipse on the apparent positions of stars whose light has passed close to the limb of the Sun [11].

Value calculated by GR:

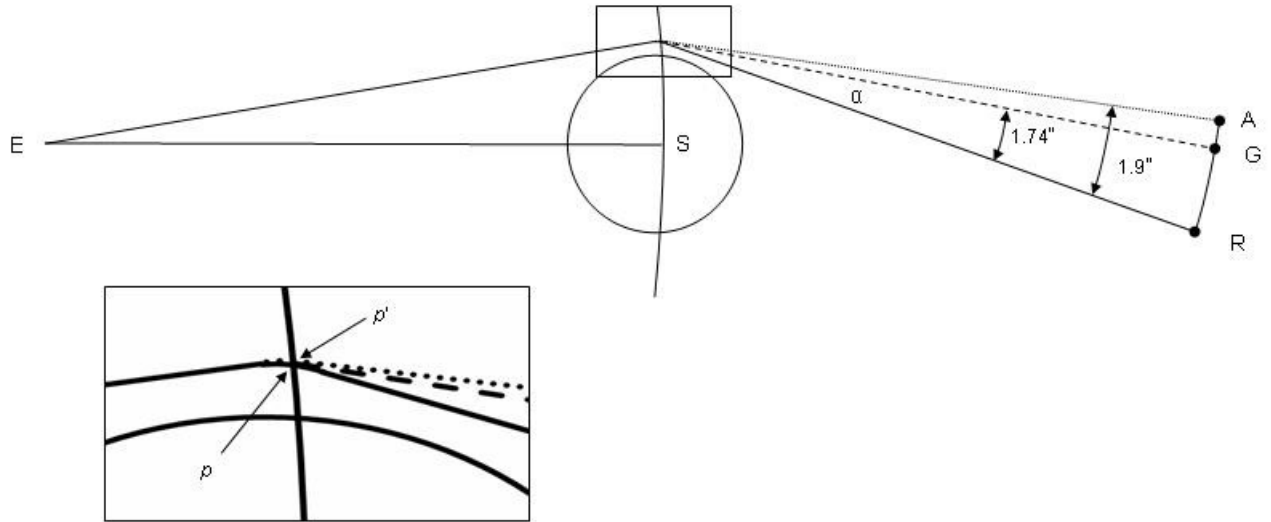


Fig. 2

(*E: Earth; S: Sun; R: real star with ray light; G: apparent star in accordance with GR with 1.74 arcseconds for the calculated angle RpG of deviation of rays of light; A: real observations of apparent star during total solar eclipses with ~ 1.9 arcseconds for the observed angle $Rp'A$. The angular difference $Gp'A$ coincides strangely with the brutal disturbance on the Allais pendulum during the total solar eclipse).*)

The value calculated by the theory of relativity of the angle of deviation of light by the Sun is

$$\Delta = 2\alpha = 4GM_s / c^2R_s \quad (7)$$

(*G is the universal constant of gravitation, c is the speed of light; M_s is the solar mass and R_s is the Sun's radius.*)

$$\begin{aligned} 4GM_s / c^2R_s &= 4 G \ 1.98 \times 10^{30} \text{ kg} / (c^2 \sim 6.9535 \times 10^8 \text{ m}) \\ &= 8.4475 \times 10^{-6} \text{ rad} \times 57^\circ 29' 53.6'' \times 3600'' = \sim 1.7424'' \end{aligned} \quad (8)$$

2α indicates a deflection of light in the field of an attracting mass which is twice as great as would be calculated from the Newtonian theory for a particle travelling with the velocity of light, which is a huge progress. The factor 2 finds its origin in the existence of a temporal and «spatial» curvature in the metrics of Schwarzschild which represents the spacetime around the Sun. It allows to verify the existence of a deflection of light in passing through the gravitational field in the neighbourhood of the Sun, and to decide between Newtonian or Einsteinian theory [11, 12].

Value calculated by the theory of relativity by considering the Allais effect:

The value calculated by the theory of relativity does not foresee nor explain the supplementary residual hundredth of arcsecond which were part of several measurements during eclipse of the bending of starlight by the Sun. No more than it foresees and explains the Allais effect during the total solar eclipse of 1954 when the Moon between Earth and Sun decreased the solar attraction.

The reckoning (6) giving 0.1634 arcsecond starts from a sudden disturbance on the Allais pendulum due to the total eclipse which reveals a decline of gravitational acceleration and consequently a length more remote from the terrestrial attractive centre. This added length, projected by means of the calculation of parallaxes on the circumference having for diameter the centres of the Sun and the Earth, is equivalent to the residual arc observed during experiments on the bending of light by gravity. Both observed phenomena, which arrive simultaneously only in eclipse time and are of the same magnitude, would be owed to the same cause: the antigravity provoked by the eclipse.

If we take into account the Allais disturbance and the residual arc observed during a total eclipse of the Sun, it will be necessary from the theory of relativity to consider that the point p of minimum approach of the Sun is widened towards the outside and to add $\Delta\alpha$, the residual arc ensuing from the antigravity, to the angle of deviation 2α . From an *ad hoc* point of view, purely observational, and only during eclipses, the einsteinian formula could be:

$$2\alpha + \Delta\alpha = [4GM_s / c^2R_s] + \Delta\alpha = 1.7424'' + 0.1634'' = \sim 1.90588''. \quad (9)$$

The angle does not correspond any more to the value calculated by the General theory of Relativity but rather to the average of the observations which gives a 10 % deviation wider than the theoretical value ($1.74'' + (1.74'' \times 10\%) = \sim 1.916''$) [14].

Let us underline that most of the experiments of eclipse collected results falling between 1.6" and 2.2". Experimenters found results below 1.74" (between 1.74" and 1.6"), as if there was a kind of overgravity similar to the Pioneer effect. In that case the equation would become

$$2\alpha - \Delta\alpha = [4GM_s / c^2R_s] - \Delta\alpha = 1.7424'' - \Delta\alpha. \quad (10)$$

$\Delta\alpha$ being a fragment of arc going from p towards the centre of the Sun, and which expresses a supplementary gravity due to the eclipse.

The formula of the General Relativity during total eclipse could thus be:

$$2\alpha \pm \Delta\alpha = [4GM_s / c^2R_s] \pm \Delta\alpha. \quad (11)$$

The three *ad hoc* formulae (9-10-11), although in compliance with the observations, remain nevertheless profoundly deficient not to say erroneous.

Discussion:

According to the General Relativity, a starlight grazing a celestial body undergoes a deflection in the direction of the lessening gravitational potential, that is turned towards the celestial body itself, deflection of size $2\alpha = 4GM_s / c^2R_s$. We suppose that the speed of light, given by

$$ds^2 = g_{uv} dx_u dx_v = 0 \quad (12),$$

equals 0, and that $g_{44}/2$, who plays the gravitational potential role determining the movement of the material point in a gravitational field stipulated almost static, does not vary [13]. At ordinary times, without eclipse, the interferometric experiments practically validated this formula in which α and d are inversely proportional inside the point p (Fig. 2 & Fig. 3). With a more stressed curvature of light, the deflection angle α becomes wider as much as d , the minimal distance of approach of the centre of the Sun, gets closer to the length of the solar radius. It is the inverse for a lesser curvature.

During a total eclipse, our reckoning from the gravitational disturbance pin down by the pendulum gives a distance d stretched out as well as a widened angle 2α . They are proportional, what seems incomprehensible. By locating 0.1634 arcsecond at p , the minimal distance of approach of the centre of the Sun d , slightly superior to the Sun radius R_s , is surpassed. Point p placed at p' , pushes away towards the outside the straight line forming the «deviated» trajectory of photons, so widening the angle which it makes with the «not deviated» trajectory of photons emitted by the distant star. This makes the formula inexplicable but the antigravity is implicit [14, 15].

Supposing that the pendulum got an excess of gravity, the calculation would have given a shorter distance d corresponding to a smaller angle 2α , that is going towards 1.6 arcseconds already observed during experiment of eclipse. Here also the distance d would be proportional to the angle 2α .

We are obliged to notice that the observed size d in times of eclipse is not the same than the theoretical value and is greater on average. We can suppose that the speed of light would *not equal* any more 0 (12) and that the gravitational potential can vary [15]. With the Allais effect of the 1954 eclipse, a ray of light passing along a celestial body would suffer a deflection on the side of the increasing gravitational potential, which is on the side opposed to the celestial body. The g_{uv} would have varied in an unexpected way. There would have been, in addition to a concavity turned toward the Sun, which means that light rays curve with regard to the system of coordinates, a tiny concavity turned toward the outside, what indicates that starlight rays «decurve» [16]. It seems that from p pointing toward p' the curvature of the space around a big mass such the Sun decreases and that a particle (planet or photon) is solicited according to the newtonian laws. As if the gravitational potential $GM_s / R_s = c^2$ acquired higher potential during eclipse. As if c^2 becoming v^2 indicated an antigravity, meaning a lighter mass M_s and an increasing «decurve» beyond the point p .

Certainly there is anomaly. The sudden proportionality between the angle α and the distance d during the eclipse means a fundamental change in the interpretation of the expression GM_s / c^2 . The factor $(2\alpha + \Delta\alpha)$ plays a role as essential as 2α in the tests of the General Relativity and can only emerge on a new conception of the gravity.

Formula of GR altered during solar eclipses with antigravitational potential:

According to General Relativity, light emitted from a source far away from the Sun and passing near the Sun should be deflected by a theoretical ~ 1.74 arcseconds (7, 8), and the angle α is inversely proportional to d the minimal distance of approach of the centre of the Sun.

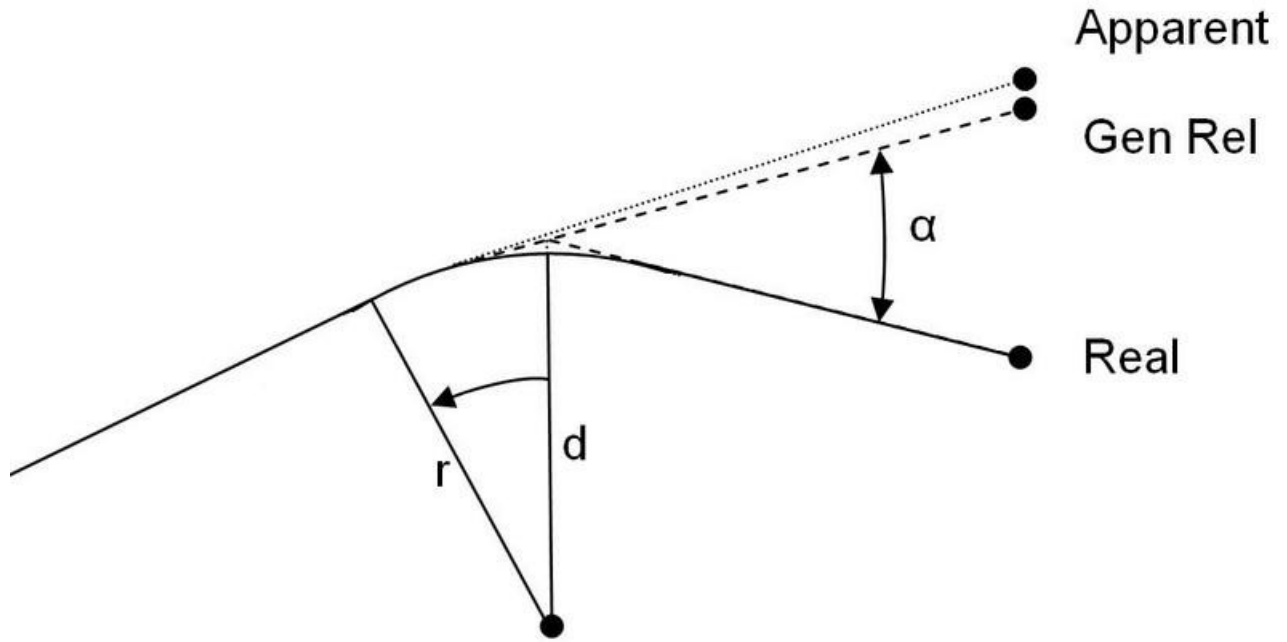


Fig. 3

(d is the minimum distance between the trajectory of the light ray and the centre of the Sun and is at a lightly upper distance than the Sun's radius R_s .)

Nevertheless, during total solar eclipse the observational angle is higher than the theoretical one and d should be longer if there a real link between the eclipse and the lower gravity detected on Earth by the pendulum. So, if α and d are higher, and the speed of light stays the same, the solar mass should be higher. It seems impossible, unless there is an addition of a negative mass ($-\Delta M_s$) which would act apparently as a positive mass. With d higher, the trajectory of the ray of light is divergent outwards. Then the formula should be

$$\alpha_{ob} = 4GM_s (1 + v^2/c^2)^{1/2} / (c^2 R_s) \quad (13)$$

$$\alpha_{ob} = 1.90588'' = 4 G 1.98 \times 10^{30} (1 + v^2/c^2)^{1/2} \times 57^\circ.29578 \times 60' \times 60'' / (c^2 \times 6.9535 \times 10^8)$$

$$v = \sim 1.3287 \times 10^8 \text{ m/s.}$$

The Moon plays the role of a negative mass inducing an antigravity. And v^2 of $(1 + v^2/c^2)^{1/2}$ could be considered as an antigravitational potential.

111. ECLIPSE AND RADIO INTERFEROMETRY MEASUREMENTS

We see that the numbers show that the Allais anomaly is in connection with the observed additional residual arcsecond and that both anomalies arise during a total solar eclipse.

Let us note on one hand that today the measure of these deflections is made by radio interferometry. One of the advantages of this technique is that it can be made every year, by opposition to the measures of eclipse, which are sporadically taken and in inhospitable places.

The development of the interferometric methods in radio astronomy allowed to verify in a very precise way the predictions of Einstein and to impose strong limits on the possible anomalies of the General Relativity. On the other hand, it is strange that since 1919, while the best observations made by Eddington in favour of the value predicted by the General Relativity agreed in approximately 20 % near, the measure of about four hundred stars during various eclipses did not allow to improve the precision of this method. The fact is that an exact agreement between theory and measurements has been obtained by radio interferometry but has never been obtained by eclipse technique [2]. The more effective measure with a precision of 0,05 of the bending of light made by radio interferometry inclines scientists to conclude that the General Relativity's value is confirmed, allows to release from eclipse experiences and end of story.

We conclude, on the contrary, that it rather confirms that there is an essential and intrinsic difference between the measures observed during eclipse and those without eclipse [14, 17, 18]. Our interpretation is that both anomalies result from the same phenomenon revealing an antigravity. The paraconical pendulum, of which the oscillation plane is free to turn all sides at the same time, seems to indicate that the more the anomaly increases the degree of oscillating plane (with regard to the plane corresponding to the Foucault effect), the more the deviated plane escapes the gravitation. The pendulum, and thus the Earth, is «lightened». Within the framework of the General Relativity, the excess of arcsecond would mean that there is «flatness», or a geodesic more remote from the Sun than the theoretical geodesic.

IV. TWO MANNERS TO EXPERIMENT

Others could attribute it to an excess of gravity similar to the Pioneer effect [19]. Although the observational experiments are difficult it is important to compare experiments with total eclipse with other without eclipse for consistency. Fortunately, modern technology is available for such a comparison. The time delay can be measured as well as the arcseconds angles since the delay experienced by light passing a massive object is closely related to the deflection of starlight. Two manners thus offer to experiment to know if there is less or more gravity.

Measuring the angle:

We could take the measure of light deflection near the Sun by using the radio interferometry on quasars. For some decades, the effect of deflection of the electromagnetic trajectories by a field of gravitation is determined by radio astronomers by using quasars 3C273 and 3C279. Quasars are, by definition, the best sources of radio energy. The positions of these two very close radio sources are exactly known and well placed to verify the deflection of radio energy by the Sun. On October 8th every year the movement of the Earth in orbit brings the Sun in the line with 3C279, darkening it. According to the prediction of Einstein, 3C279 disappears slightly later and reappears slightly earlier on the remote side from the Sun. The convenient position of 3C373 gives to radio astronomers a reference point to see how the apparent position of 3C279 is changed when it is on the edge of the Sun. Radio astronomers can see the separation angle with time, determine the deflection of light as a function of distance from the Sun and translate that into a deflection of a grazing ray. One can imagine that if ever such a heavenly coincidence could also coincide with a total solar eclipse, the photos taken by radio

astronomers could be compared with those without eclipse. By careful analysis of the eclipses measurements they could see if there is in the sky an essential difference of the bending of light [3, 17].

Measuring the time delay:

Currently the deflection of «light» is best measured using radio astronomy, since radio waves can be measured during the day without waiting for an eclipse of the Sun. Einstein predicts that light will be delayed instead of accelerated when passing close to the Sun. By using the very precise radar techniques, we could measure the delay of the signals passing near the Sun during a total eclipse and to compare it with the delay obtained without eclipse. A radar impulse is sent from the Earth on a target of the solar system (a planet for example) which reflects this radio signal and sends it back on Earth. The measured round trip travel time of the radio wave has a slightly bigger value according to the General Relativity than according to Newton's theory. The difference is so much greater as the signal passes closer of the Sun. The first experiments used radar echo on planets Venus or Mercury in superior conjunction with the Sun: the wave radio cross, in that case, the field of solar gravitation on the way out and on the way back. It was matching the predicted amount of relativist time delay. The experiments have been repeated many times since, with increasing accuracy. This effect is now given by using a spacecraft behind the Sun instead of a star. Radar echo on space probes Mariner VI and VII who were placed on solar orbits after their observations of Mars, in 1969, gave delay observations which agree with Einstein within ~ 0.9 standard deviations. This was first done by Irwin Shapiro between 1966 and 1970 [20, 21, 22, 23]. The duration of a radar signal during the eclipse should have an a little shorter value than a delay observation without eclipse, and this shorter delay would go to the sense of an «antigravity». An additional delay during eclipse would mean «overgravity» similar to the Pioneer effect.

V. POSSIBLE COSMOLOGICAL CONSEQUENCES

We assume that there is a relation between the Allais effect and the not resolute anomaly of residual arc during total solar eclipse. It is evident at this stage that it needs further investigations in order to dissipate the confusion between significant gravitational anomaly and errors of observation, and determine if our calculation is indeed genuine or facility artefact. It must be taken into consideration that if the effects of these anomalies are real [24, 25] and in coincident evidence, it gives a new aspect of the Allais effect which could lead at least to three possible cosmological consequences:

If the Allais effect is real, gravity would be attractive and repulsive:

GR, based on the equivalence principle, is in an extension of special relativity and Newtonian gravity, but even if it is full of elegance and simplicity it doesn't mean that the theory is in agreement with recent observations (Pioneer anomaly, anomaly of the astronomical unit, galaxy rotation curves, etc). If the Allais effect is real, gravitation could not be considered any more like a spacetime curvature or as only an attractive force. The element «antigravity» would put it to the rank of the other forces which have all an attractive and repulsive aspect. It would be then possible to describe gravity in the framework of quantum field theory like the other fundamental forces.

The Allais effect on cosmological scales would apply to the gravitational lenses and to the distribution of matter:

It is easy to imagine that if the Allais effect is applied to the light-bending effect measured during a total eclipse of the Sun, then there is overwhelming evidence that this effect exists on

various scales where eclipses are associated with light following curved paths through space distorted by the presence of matter.

According to GR, mass «warps» space-time to create gravitational fields and therefore bend light as a result. After this theory was confirmed in 1919 during a solar eclipse, Einstein realized that it was also possible for astronomical objects to bend light, and that under the correct conditions, one would observe multiple images of a single source, called a «gravitational lens» or sometimes a «gravitational mirage». It was not until 1979 that the first gravitational lens would be discovered. It became known as the «Twin Quasar» since it initially looked like two identical quasars. In the 1980s, astronomers realized that the combination of CCD imagers and computers would allow the brightness of millions of stars to be measured each night. Gravitational microlensing can provide information on comparatively small astronomical objects, such as Machos within our own galaxy, or extrasolar planets. Strong and weak gravitational lensing of distant galaxies by foreground clusters can probe the amount and distribution of mass, which is dominated by invisible dark matter. Aside from determining how much dark matter they contain, gravitational lensing can also be used to measure the expansion history of the universe (its size as a function of time since the big bang), which is encoded in Hubble's law [1, 26, 27].

Einstein's GR demonstrates that a large mass can deform spacetime and bend the path of light. So, a very massive object, such as a cluster of galaxies can act as a gravitational lens (deflector). When light passes through the cluster from an object lying behind it, the light is bent and focused to produce an image or images of the source. Viewed from the observer (the Earth), the image may be magnified, distorted, or multiplied by the lens, depending upon the position of the source with respect to the lensing mass. So, let us suppose that a sufficiently visible or invisible massive object is moving between Earth and the deflector, or between the deflector and the source, would not there be an Allais effect?

If the data could be compared, before, during and after, that the massive object travels between us, the gravitational lens and the source, there could be an excessive residual arc of the optic angle due to the antigravity, a divergent angle showing itself by a little less brilliance than foreseen by the Relativity, different images. The Einstein effect, in times of eclipse, should have a slightly lower shift of the spectral lines towards the red (*blueshift*) than in times without eclipse. In case it would be an effect similar to the Pioneer effect (over gravity) we should have a slightly superior movement of the spectral lines towards the red than in a frame without eclipse.

Because on the surface of celestial bodies reigns a field of very intense gravitation and the movements of the lines are considerable, gravitational lensing for the generalized Relativity is a powerful tool to estimate mass distribution on cosmological scales. But if the additional Allais effect is true, the mass distribution and the interpretation of gravity could be different.

Eclipse perturbation instead of tidal friction; main witness becomes main culprit:

It is on the basis of Earth-Moon alignments at the time of ancient eclipses that it is possible to conclude that--as a trend--Earth's rotation may be slowing down. Because a number of ancient eclipses are on record, modern researchers have been able to determine that the length of the day in ancient times was a bit shorter than the length of the modern day (86,400 seconds). It seems that throughout the previous 4,000 years the length of the day has gradually grown longer. Paleontological data seems to reveal that Moon today is retreating from Earth more rapidly than during the past.

It is thus assumed that the Moon in its orbit experiences an acceleration effect due to lunar and solar tides friction slowing down Earth's spin. The wave of tide lifting waters of oceans, moves the other way around of the rotation of the Earth; so it produces a friction which slows down the rotation. At the same time, the Moon undergoes a counteraction to that of the tide and goes away constantly from the Earth. However things seem more complicated than supposed. The vertical constituent of the force of Newton's static theory produces only an insignificant disturbance. The horizontal constituent of the force of the dynamic theory produces more impressive effects on the liquid masses but the influence of the oceanic friction can only be considered in the regions of weak depth and strong tides, what is the exception rather than the rule. Furthermore the atmospheric tides in resonance with the present period of rotation tend to accelerate the rotation and to compensate for the braking due to the oceanic tides. Thus no absolute conclusion can be formulated and it would be possible that this theory contributes only very partially to the slowing down of the Earth [13].

Our suggestion is that the slowing rotation of the Earth, the increasing length of the day associated to the wider lunar orbit, are above all caused by eclipses instead of tidal friction. In this respect we suggest to examine in depth the Allais eclipse effect [5, 30]. It could reveal that mechanisms of «antigravity» could produce «cosmological leaps» and «cosmological leap seconds» (different from «leap seconds» filling the split between the Earth's rotation second and the atomic clock second) and be so the main cause of the deceleration in the Earth's spin rate and, simultaneously, of the receding of the Moon. The listed total solar eclipses were always the only historic *witnesses* of the non uniform change of rate of the rotation of Earth and of the day length. More than witness of the changes in Earth's dynamical behaviour, we think that eclipse could be also considered as *perpetrator* if the eclipse records and the Allais effect were scientifically investigated. Eclipse would have acted like a pyromaniac who, having lit a long series of fires, hurries to indicate every fire to the authorities who, in turn, use him as unique witness for the prosecution against possible suspects.

VI. CONCLUSION

Is the relation between the Allais effect and the anomalous displacement in the positions of the images of stars during solar eclipses a simple hypothesis, or is it a consequence of the observation at the time of the total eclipse? We think that it is a consequence of the observational results at the time of the total eclipse and the measurements suggest that both anomalous phenomena have a common origin. But even if it was a simple hypothesis the question arises and it would be antiscientific to reject it with the back of the hand like it has been done for the results of the experiments repeated during several years and in a rigorous way by the inventor of the paraconical pendulum. Scientific history seems to repeat itself.

When the GR predicted for the deflection of starlight just grazing the edge of the Sun an angular distance of 1,74 arcseconds, two times the Newtonian prediction, the question of the precise value of the deviation became a matter of principle which had to allow to choose between both theories. The Relativity took it. Today, the Allais effect and the anomaly of residual arc during total solar eclipse persuade us that it is not the complete story. The observed 1,97 arcseconds for the deviation, considered up to here as one of the proofs of the GR, is the average of the observations done during eight eclipses between 1919 and 1960. But this number is higher than the number predicts by the calculation and in a proportion superior to the experimental errors. And, as we tried to demonstrate it, the unexplained arcsecond

excess of these experiments would be in concomitance and in accordance with the abrupt shift of the plane of oscillation of the Allais pendulum with regard to the plane corresponding to the effect of Foucault. We do not hesitate to assert that these confirmed experiments and data question the interpretation of the GR and once more our conception of the Universe.

REFERENCES

- [1] Alexander Unzicker, *Why do we Still Believe in Newton's Law? Facts, Myths and Methods in Gravitational Physics*, arXiv:gr-qc/0702009v7, p.17 (2008).
- [2] Max Born, *Einstein's Theory of Relativity*, Dover Publications, Inc, p.358-9 (1962).
- [3] Clifford M. Will, *Was Einstein Right?* Basic Books, Inc., Publishers, p.72-80; 82-86 (1986).
- [4] Science@ NASA, *Decrypting the Eclipse*, http://science.nasa.gov/newhome/headlines/ast06aug99_1.
- [5] Thomas J. Goodey, *The shearing Hypothesis and the Allais Eclipse Effect*, (2008), www.flyingkettle.com/allais/eclipses.htm.
- [6] Science du Monde, *La Gravité*, Librairie Jules Tallandier et Nelson Doubleday, Inc, p.36-37 (1969).
- [7] Maurice Allais, *L'Anisotropie de l'Espace*, Edition Clément Juglar, p.164 (1997).
- [8] Erwin J. Saxl, Mildred Allen, *1970 Solar Eclipse as 'Seen' by a Torsion Pendulum*, Physical Review D, Vol 3 N°4 (1971).
- [9] Resnick-Halliday, *Mécanique*, Édition du renouveau pédagogique, p.362, 16-3 N°6 (1979).
- [10] Abbé H. Simard, *Cours élémentaire de Cosmographie*, Laflamme et Proulx, p.114-119 (1916).
- [11] Richard C. Tolman, *Relativity Thermodynamics and Cosmology*, Dover Publications, Inc, p.209-211 (1987).
- [12] J.-M. Rocard, *Newton et la Relativité*, Que sais-je? Presse universitaire de France p.105-6 (1986).
- [13] Ernest J. Öpik, *Initiation à l'astronomie*, Petite Bibliothèque Payot, p.66-67, 25-29, 39-40, 43-44 (1960).
- [14] Gianni Pascoli, *La Gravitation*, Que sais-je? Presse universitaire de France p.43-5 (1986).
- [15] Françoise Balabar, *Albert Einstein, physique, philosophie, politique*, Édition du Seuil, p. 326-7; 356-9; 363-5 (2002).

- [16] Albert Einstein, *The Principle of Relativity*, Dover Publications, Inc, p. 107-8 (1952).
- [17] Stamatia Mavridès, *La Relativité*, Que sais-je ? Presse universitaire de France, p.118-120 (1988).
- [18] Laurent Nottale, *L'Univers et la Lumière*, Champs Flammarion, p.188-190 (1994).
- [19] Xavier E. Amador, *Review on possible Gravitational Anomalies*, arXiv: gr-qc/0604069 v1 (2006).
- [20] Irwin I. Shapiro, et al, *The Viking relativity experiment*, Journal of Geophysical Research, vol. 82, p. 4329-4334 (1977).
- [21] Nigel Calder, *Einstein's Universe*, Pinguin Books, p.105-107 (1980).
- [22] Edward L. Wright, *Deflection and Delay of Light* (2004).
- [23] Alain Bouquet, *L'Univers de la Gravitation*, Science & Vie, N° 205, Hors Série, p.86-89 (Déc 1998).
- [24] Henry Aujard, *The Allais Effect is real!* 21st century Science & Technology, Vol 14 - No2 , p. 70 (2001), <http://www.21stcenturysciencetech.com>
- [25] Chris P. Duif, *A review of conventional explanations of anomalous observations during solar eclipses*, arXiv:gr-qc/0408023v5, (2004).
- [26] Wikipedia, *Gravitational lenses*, http://en.wikipedia.org/wiki/gravitational_lens.
- [27] John Gribbin, Martin Rees, *Cosmic Coincidences*, Bantam Books, p.212-3 (1989).
- [28] Duncan Steel, *Eclipse*, Headline Book Publishing, p.141-152, (1999).
- [29] Fred Espenak, *Eclipse Predictions*, <http://Eclipse.gsfc.NASA.gov/eclipse>.
- [30] Ed Oberg, *Location of the Allais Effect on the Earth's Surface: A Hypothetical Field Model, Note 2* (2007), www.iasoberg.com/datafiles/final.pdf.